

# AMC611

## U.2 NVMe or SATA 2.5" Solid State Drive, AMC



AMC611

## Key Features

- AMC Solid State Drive (SSD) with U.2 form factor
- PCIe x4 or SATA interface
- Storage over 15TB in single 2.5" 15mm height
- AMC.1 PCIe
- AMC.3 SATA
- Single module, compact, mid-size or full-size per AMC.0
- IPMI 2.0 compliant

## Benefits

- Multi-Terabit storage capacity in a single module AMC form factor carrier
- NVMe performance
- Electrical, mechanical, software, and system-level expertise in house
- Full system supply from industry leader
- AS9100 and ISO9001 certified company

**AdvancedMC™**



**vadatech**  
THE POWER OF VISION



# AMC611

The AMC611 is fully compliant to the Enterprise Solid State Disk (SSD) with the U.2 form factor. NVMe storage provides high speed and low latency read/write to the SSD devices.

The module supports one U.2 form factor NVMe storage device, or a SATA device in 2.5" form factor. The module can accept a 15mm height disk with capacity of over 15TB.

The AMC611 has PCIe Gen3 x4 routed to ports 4-7 or 8-11 or has SATA routed to ports 2 or 3.

The AMC611 is available in both air-cooled (MTCA.0 and MTCA.1) and rugged conduction-cooled versions (MTCA.2 or MTCA.3, contact sales for details).



Figure 1: AMC611



Figure 2: AMC611 Front Panel

# Block Diagram

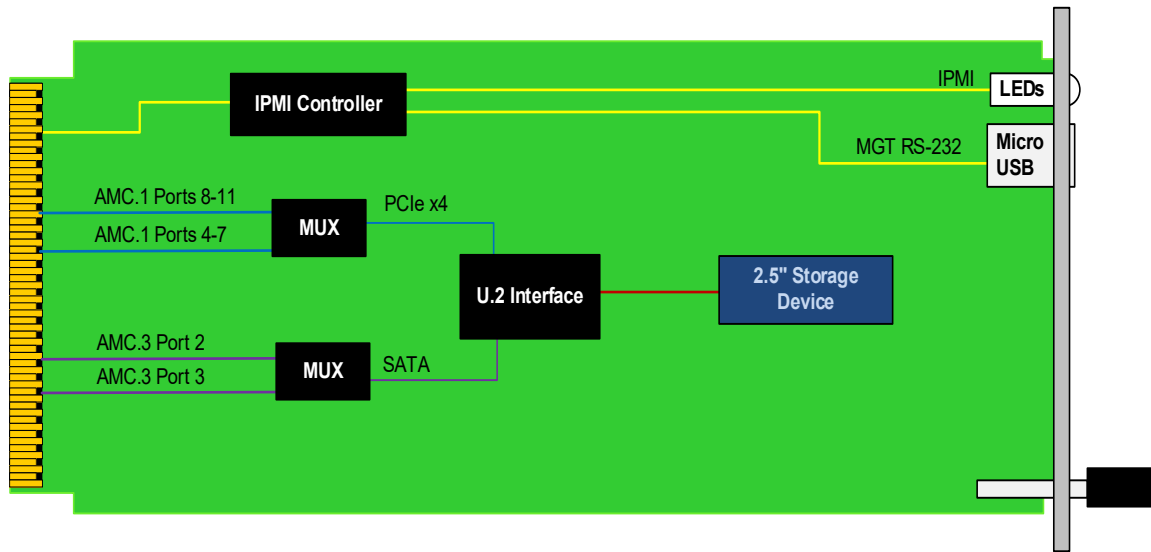


Figure 3: AMC611 Functional Block Diagram

# Specifications

Architecture		
<b>Physical</b>	<b>Dimensions</b>	Single module, compact-size (mid-size or full-size optional) Width: 2.89" (73.5 mm) Depth 7.11" (180.6 mm)
<b>Type</b>	<b>AMC Storage</b>	NVMe or SATA SSD
Standards		
<b>AMC</b>	<b>Type</b>	AMC.1 and AMC.3
<b>Module Management</b>	<b>IPMI</b>	IPMI v2.0
<b>PCIe</b>	<b>Lanes</b>	x4
<b>Storage</b>	<b>SSD</b>	Over 30TB
Configuration		
<b>Power</b>	<b>AMC611</b>	20W with 15 TB of NVMe Storage
<b>Environmental</b>	<b>Temperature</b>	See <a href="#">Ordering Options</a> and <a href="#">Environmental Spec Sheet</a> Storage Temperature: -40° to +85°C
	<b>Vibration</b>	Operating 9.8 m/s <sup>2</sup> (1G), 5 to 500 Hz on each axis
	<b>Shock</b>	Operating 325 G/2 ms, 160 G/1 ms
	<b>Relative Humidity</b>	5 to 95% non-condensing
<b>Front Panel</b>	<b>Interface Connectors</b>	Micro USB connector for MGT RS-232 U.2 (Internal)
	<b>LEDs</b>	IPMI Management Control Activity
	<b>Mechanical</b>	Hot-swap ejector handle
<b>Software Support</b>	<b>Operating System</b>	Linux, Windows, Solaris and VxWorks
Other		
<b>MTBF</b>		MIL Hand book 217-F@ TBD hrs
<b>Certifications</b>		Designed to meet FCC, CE and UL certifications, where applicable
<b>Standards</b>		VadaTech is certified to both the ISO9001:2015 and AS9100D standards
<b>Warranty</b>		Two (2) years, see <a href="#">VadaTech Terms and Conditions</a>

## INTEGRATION SERVICES AND APPLICATION-READY PLATFORMS

VadaTech has a full ecosystem of OpenVPX, ATCA and MTCA products including chassis platforms, shelf managers, AMC modules, Switch and Payload Boards, Rear Transition Modules (RTMs), Power Modules, and more. The company also offers integration services as well as pre-configured Application-Ready Platforms. Please contact VadaTech Sales for more information.

# Ordering Options

## AMC611-ABC-DE0-00J

<b>A = NVMe Storage Capacity*†</b> 0 = None 1 = 3 TB 2 = 6 TB 3 = 15 TB 4 = 30 TB 5 = Reserved 6 = Resaved	<b>D = PCIe Port route (only with option A)</b> 0 = No PCIe interface 1 = Ports 4-7 2 = Ports 8-11	
<b>B = SATA Storage Capacity*†</b> 0 = None 1 = 3 TB 2 = 7.6 TB 3 = 15 TB 4 = Reserved 5 = Reserved	<b>E = SATA Port route (only with option B)</b> 0 = No SATA interface 1 = Port 2 2 = Port 3	
<b>C = Front Panel</b> 1 = Compact (9mm or less disk size) 2 = Mid-size 3 = Full-size 4 = Reserved 5 = Mid-size, MTCA.1 (captive screw) 6 = Full-size, MTCA.1 (captive screw)		<b>J = Temperature Range and Coating</b> 0 = Commercial (-5° to +45°C), No coating 1 = Commercial (-5° to +45°C), Humiseal 1A33 Polyurethane 2 = Commercial (-5° to +45°C), Humiseal 1B31 Acrylic 3 = Reserved 4 = Industrial (-20° to +70°C), Humiseal 1A33 Polyurethane 5 = Industrial (-20° to +70°C), Humiseal 1B31 Acrylic

\*Note: Option A or B should be chosen but not both  
 †All NVMe (option A) are 15mm which requires full-height panel and SATA drives over 7.6TB

## Related Products

VT950



- MicroTCA rugged 1U 19" rackmount chassis platform
- Meets MIL-STD-810F, MIL-STD-901D for shock/vibration
- Meets MIL-STD-461E for EMI

AMC626



- HBA for external SATA 3 (6.0 Gbps) or SAS-3 (12 Gbps) drives
- AMC.1 compliant, PCIe Gen3 x8 or x4
- Support for 8 SAS/SATA Ports

AMC629



- HBA for external SATA 3 (6.0 Gbps) or SAS-3 (12 Gbps) drives
- Conduction cooled version available
- Integrated RAID 0, 1, 1E, and 10

# Contact

## VadaTech Corporate Office

198 N. Gibson Road, Henderson, NV 89014

Phone: +1 702 896-3337 | Fax: +1 702 896-0332

## Asia Pacific Sales Office

7 Floor, No. 2, Wenhui Street, Neihu District, Taipei 114, Taiwan

Phone: +886-2-2627-7655 | Fax: +886-2-2627-7792

## VadaTech European Sales Office

VadaTech House, Bulls Copse Road, Southampton, SO40 9LR

Phone: +44 2380 016403

[info@vadatech.com](mailto:info@vadatech.com) | [www.vadatech.com](http://www.vadatech.com)

# Choose VadaTech

## We are technology leaders

- First-to-market silicon
- Constant innovation
- Open systems expertise

## We commit to our customers

- Partnerships power innovation
- Collaborative approach
- Mutual success

## We deliver complexity

- Complete signal chain
- System management
- Configurable solutions

## We manufacture in-house

- Agile production
- Accelerated deployment
- AS9100 accredited



**vadatech**  
THE POWER OF VISION

## Trademarks and Disclaimer

The VadaTech logo is a registered trademark of VadaTech, Inc. Other registered trademarks are the property of their respective owners. AdvancedTCA™ and the AdvancedMC™ logo are trademarks of the PCI Industrial Computers Manufacturers Group. All rights reserved. Specification subject to change without notice.

© 2020 VadaTech Incorporated. All rights reserved.  
DOC NO. 4FM737-12 REV 01 | VERSION 1.3 – FEB/22