

2.5" SAS-3 Drive, 12 Gbps – AMC625

2.5" SAS-3 Drive



KEY FEATURES

- 2.5" SAS-3 Drive 12 Gbps (can support legacy 3 Gbps and 6 Gbps)
- AMC.3 compliance
- Single module, mid-size (full-size options available)
- Option for Solid State Drive or Rotary Disk
- IPMI 2.0 compliant
- RoHS compliant

Benefits of Choosing VadaTech

- 12 Gbps SAS drive provides twice the front-end transfer rate as previous VadaTech modules
- Design utilizes proven VadaTech subcomponents and engineering techniques
- Electrical, mechanical, software, and system-level expertise in house
- AS9100 and ISO9001 certified company

The AMC625 is specifically designed for 2.5" SAS-3 hard disk drive in a single module, mid-size AdvancedMC™ (AMC) form factor based on the AMC.3 specification. The SAS-3 option allows 12 Gbps based on the latest T-10 working group specification. The AMC625 is the ideal high speed AdvancedMC™ storage module.

The module allows the second SAS port from the disk to be routed to the front via the SFF-8644 or to port 3 of the AMC.

VadaTech can modify this product to meet special customer requirements. Contact us to discuss your application.

BLOCK DIAGRAM

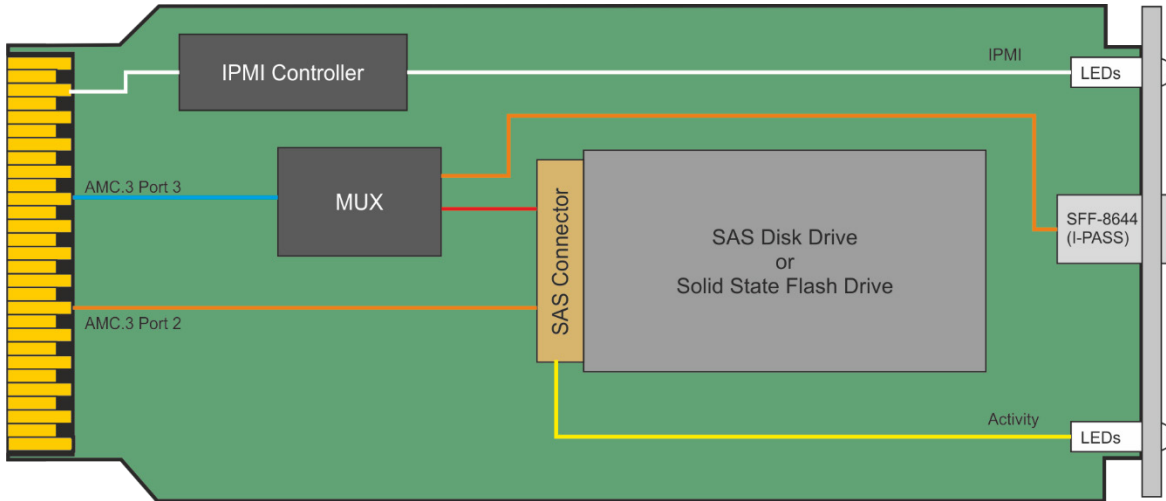


Figure 1: Block Diagram



Figure 2: Front Panel

SPECIFICATIONS

Architecture		
Physical	Dimensions	Single module, mid-size (full-size options available)
		Width: 2.89" (73.5 mm)
		Depth: 7.11" (180.6 mm)
Type	AMC Storage	2.5" SAS-3 drive
		SSD and Rotary disk option
		15,000 RPM, <2.5 ms average seek time for rotary disks
		Up to 800 GB hard drive capacity in SSD (at time of publishing)
		Transfer rate of 12 Gbps
Standards		
AMC	Type	AMC.3
Module Management	IPMI	IPMI v2.0
Configuration		
Power	AMC625	1 W without the drive
Environmental	Temperature	Operating temperature: -5° to 55° C (air flow requirement of >200 LFM), industrial and military versions also available (See environmental spec sheet)
		Storage temperature: -40° to +70° C with the disk
	Vibration	SSD/Rotary disk dependent
	Shock	SD/Rotary disk dependent
	Relative Humidity	5 to 95 percent, non-condensing
Front Panel	LEDs	IPMI management control
	Interface	Single Mini-SAS SFF-8644 x1
		Activity
	Mechanical	Hot swap ejector handle
Software Support	Operating System	Independent
Other		
MTFB	MIL Handbook 217-F@TBD Hrs	
Certifications	Designed to meet FCC, CE and UL certifications where applicable	
Compliance	RoHS and NEBS.	
Standards	VadaTech is certified to both the ISO9001:2000 and AS9100B:2004 standards	
Warranty	Two (2) years	
Trademarks and Disclaimer	The VadaTech logo is a registered trademark of VadaTech, Inc. Other registered trademarks are the property of their respective owners. AdvancedTCA™ and the AdvancedMC™ logo are trademarks of the PCI Industrial Computers Manufacturers Group. All rights reserved. Specification subject to change without notice	

2.5" SAS-3 Drive, 12 Gbps – AMC625

ORDERING OPTIONS

AMC625 – A0C – 000 – 0HJ

A = First SAS Drive Capacity

- 0 = None
- 1 = 400 GB SSD
- 2 = 800 GB SSD
- 3 = Reserved
- 4 = Reserved
- 5 = 2.5" Rotary and other sizes
(Contact sales for availability)

C = Front Panel Height

- 1 = Reserved
- 2 = Mid-size
- 3 = Full-size

H = Temperature Range

- 0 = Commercial (-5 to +55° C)
- 1 = Industrial (-20 to +70° C)
- 2 = Military (-40 to +85° C)*

J = Conformal Coating

- 0 = None
- 1 = Humiseal 1A33 Polyurethane
- 2 = Humiseal 1B31 Acrylic

* Edge of module for conduction-cooled boards

RELATED PRODUCTS



EXP100 1U Express
Development Platform



UTC002 MCH



UTC020 Power Module

CONTACT US

VadaTech Corporate Office

198 N. Gibson Rd.
Henderson, NV 89014
Email: info@vadatech.com
Telephone: +1 702 896-3337
Fax: +1 702 896-0332

Asia Pacific Sales Office

7th Floor, No. 2, Wenhui Street, Neihu District, Taipei
City, Taiwan 11445
Email: info@vadatech.com
Telephone: +886-2-2627-7655
Fax: +886-2-2627-7792

VadaTech European Sales Office

Ocean Village Innovation Centre, Ocean Way,
Ocean Village, Southampton, SO14 3JZ
Email: info@vadatech.com
Telephone: +44 2380 381982
Fax: +44 2380 381983