

μTCA Virtex-5 Data Processing “CoBo” AMC – CM044

μTCA Virtex-5, CoBo AMC



KEY FEATURES

- Data Processing CoBo (Concentration Board) in AMC format
- Double module, full-size compliant to MicroTCA.0
- Virtex-5 FPGA (XC5VFX100T in FFG 1136 package)
- 256 MB DDR3 DDR2 SDRAM and 32 MB Flash
- Dual VHDCI, two dual-coax LEMO, and one micro USB connector via the front panel
- Port 0 and Port 4 for GbE
- Port 1 for GET Clocks
- Ports 8-11 for GET Data
- Activity and MGT LEDs
- Slow/Fast control of ASIC ADC
- Partial reconfiguration and firmware upgrade support
- Advanced diagnostic, monitoring and debugging

μTCA®



Benefits of Choosing VadaTech

- Data processing performance of Virtex-5 FPGA with ASIC A/D Converter
- Electrical, mechanical, software, and system-level expertise in house
- Full ecosystem of front and rear boards, enclosures, specialty modules, and test/dev products from one source
- AS9100 and ISO9001 certified company

The CM044 AMC-based Concentration Board (CoBo) is a high-performance data processor designed according to the PICMG MTCA.0 specifications. The board is targeted for General Electronics (GET) for Time Projection Chamber (TPC) project. The AMC module intelligently reads, reduces and concentrates the high data throughput of TPC detectors.

The CoBo AMC interfaces to external ASIC ADCs, timing boards, controller and storage farms. The module comes in the double module, full-size AMC format with 1GbE on ports 0, 4. Port 1 is used for GET Clocks and Ports 8-11 are used for GET Data.

μTCA Virtex-5 Data Processing “CoBo” AMC – CM044

COMPLETE MICROTCA SYSTEM (GET COMPATIBLE)

For a complete MicroTCA system (GET compatible, the following products are needed from VadaTech:

- MicroTCA Chassis: VT893-123-000-000
- 792W DC Power Supply: UTC010-200-000-010
- MCH: UTC002-210-400-010
- Optional JTAG Module: UTC008-000-000-000

BLOCK DIAGRAM

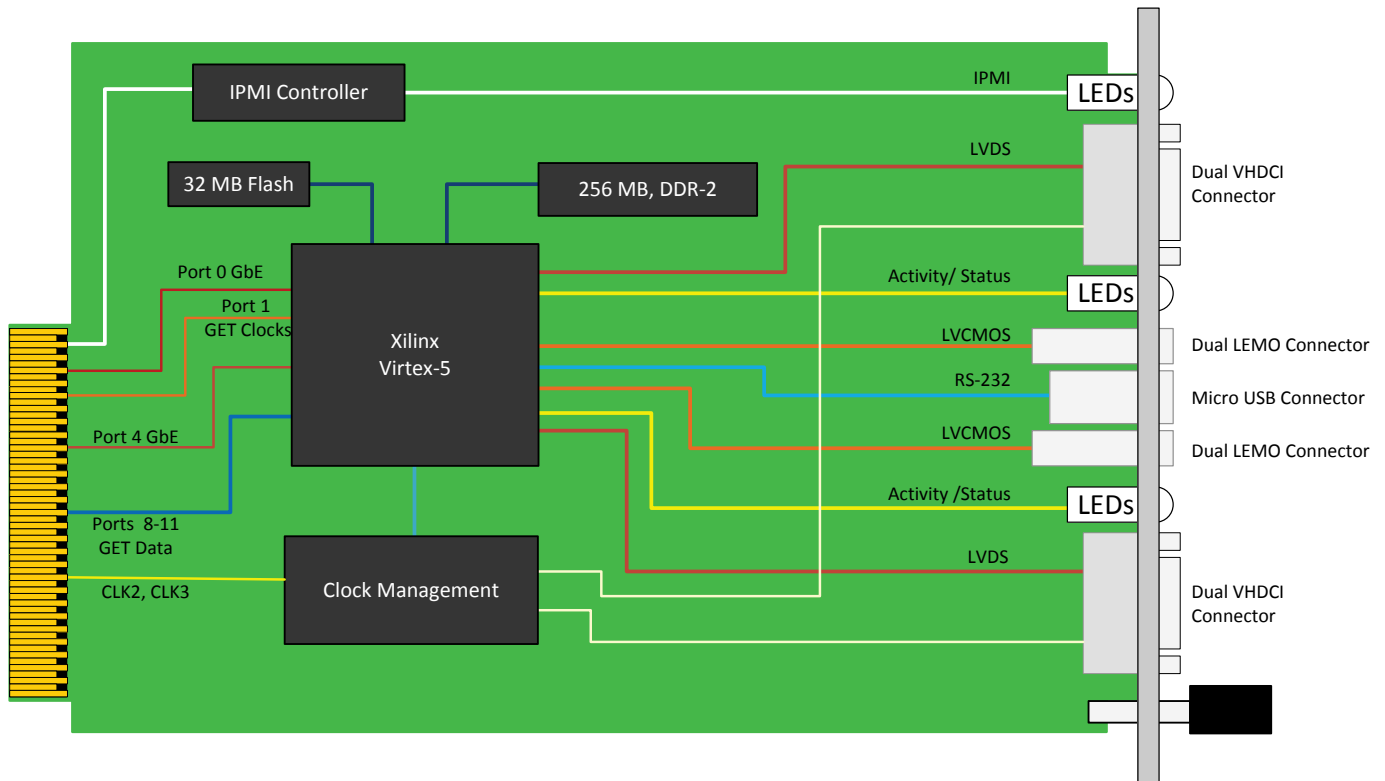


Figure 1: Block Diagram

FRONT PANEL

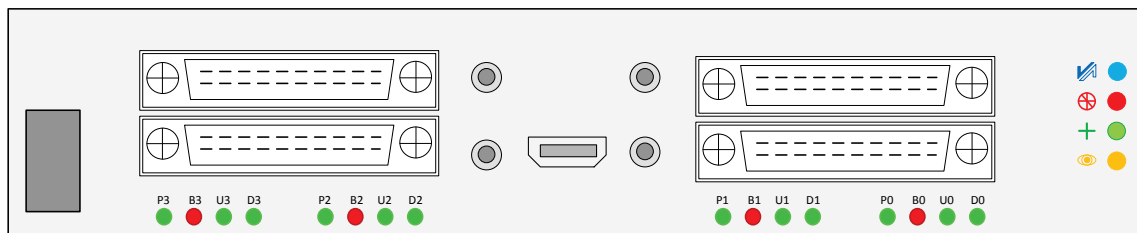


Figure 2: Representative Front Panel

Licensed from MSU

SPECIFICATIONS

Architecture		
Physical	Dimensions	Double module, full-size
		Width: 5.486” (148.5 mm) Depth 7.11” (180.6 mm)
Type	AMC Data Processing Module	Xilinx Virtex-5 XC5VFX100T
		DDR2 memory
Standards		
AMC	Type	AMC.2
MTCA	Type	MTCA.0
Module Management	IPMI	IPMI version 2.0
Ethernet	GbE	GbE on Ports 0 and 4
Configuration		
Power	CM044	36 watts
Environmental	Temperature	Operating Temperature: -5° to 55°C (air flow > 400LFM) industrial and military versions also available (See environmental spec sheet)
		Storage Temperature: -40° to +85°C
	Vibration	Operating 9.8 m/s ² (1.0 G), 5 to 500Hz
	Shock	30Gs on each axis
Front Panel	Relative Humidity	5 to 90 per cent, non-condensing
	Interface Connectors	2x Dual VHDCI Connectors, RS-232 and Dual LEMO Connectors
	LEDs	IPMI management control
	Mechanical	Hot swap ejector handle
Conformal Coating		Humiseal 1A33 Polyurethane (Optional)
		Humiseal 1B31 Acrylic (Optional)
Other		
MTBF	MIL Hand book 217-F @ TBD Hrs	
Certifications	Designed to meet FCC, CE and UL certifications where applicable	
Standards	VadaTech is certified to both the ISO9001:2000 and AS9100B:2004 standards	
Warranty	Limited hardware warranty from VadaTech. Contact factory for details.	
Trademarks and Disclaimer	The VadaTech logo is a registered trademark of VadaTech, Inc. Other registered trademarks are the property of their respective owners. AdvancedTCA™ and the AdvancedMC™ logo are trademarks of the PCI Industrial Computers Manufacturers Group. All rights reserved. Specification subject to change without notice	

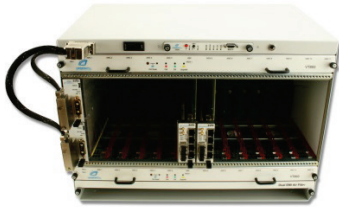
ORDERING OPTIONS

CM044 – 000 – 000 – 00J

J = Collaborators
1 = Collaborators*
2 = Non-collaborators

*See CoBo specification document for list of collaborators.

RELATED PRODUCTS



**VT893
MTCA Chassis**



UTC002 MCH



**UTC010 Power
Module**

CONTACT US

VadaTech Corporate Office

198 N. Gibson Road,
Henderson, NV 89014
Email: info@vadatech.com
Telephone: +1 702 896-3337
Fax: +1 702 896-0332

Asia Pacific Sales Office

7 Floor, No. 2, Wenhui Street, Neihu District,
Taipei 114, Taiwan
Email: info@vadatech.com
Telephone: +886-2-2627-7655
Fax: +886-2-2627-7792

VadaTech European Sales Office

Ocean Village Innovation Centre, Ocean Way,
Ocean Village, Southampton, SO14 3JZ
Email: info@vadatech.com
Telephone: +44 2380 381982
Fax: +44 2380 381983

Licensed from MSU