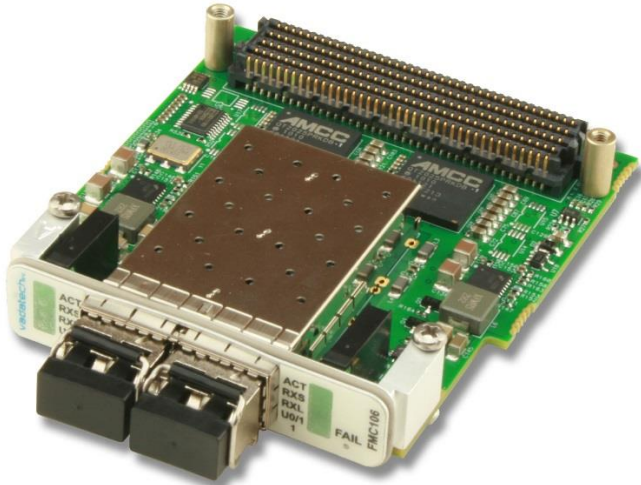


FMC106 – FMC Dual 10 GbE with XAUI Interface

Dual SFP/SFP+, 10GbE



KEY FEATURES

- FPGA Mezzanine Card (FMC) per VITA-57
- Single module
- Dual 1GbE/10GbE via SFP+
- XAUI interface to the FMC at 10GbE speed
- RoHS compliant

Benefits of Choosing VadaTech

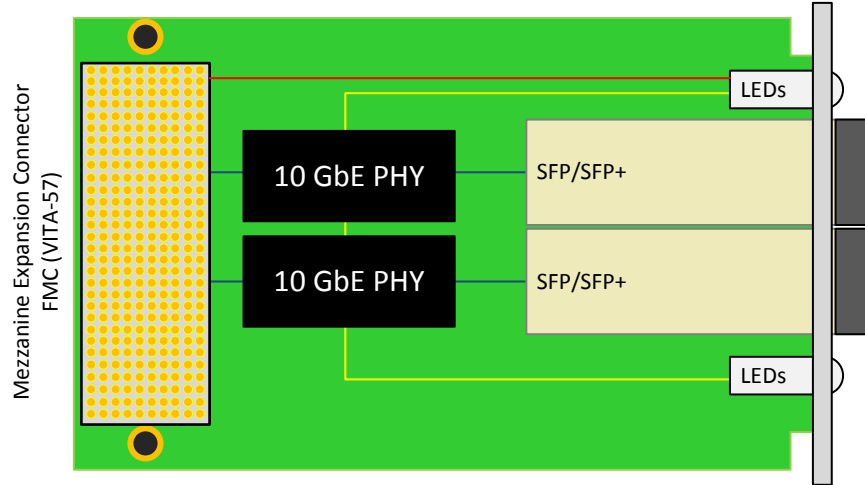
- Array of FMC's and FMC carriers available from VadaTech
- Design utilizes proven VadaTech subcomponents and engineering techniques
- Electrical, mechanical, software, and system-level expertise in house
- Full ecosystem of front and rear boards, enclosures, specialty modules, and test/dev products from one source
- AS9100 and ISO9001 certified company

The FMC106 is an FPGA Mezzanine Module per VITA 57 specification. The FMC106 has Dual 1GbE/10GbE interface via SFP+ which allows for 1GbE/10GbE to be routed to appropriate FMC pins.

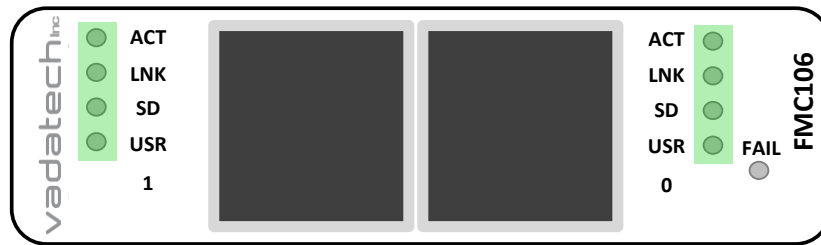
Note: The Carrier must have no component on the top side for 46 mm for this module to fit properly. All VadaTech FMC Carriers provide this clearance.

FMC106 – FMC Dual 10 GbE with XAUI Interface

BLOCK DIAGRAM



FRONT PANEL



SPECIFICATIONS

Architecture		
Physical	Dimensions	Single module Width: 2.71" (69 mm) Depth: 3.011" (76.5 mm)
Type	FMC	Two port 10 GbE Single FMC slot
Standards		
FMC	VITA57	ANSI/VITA 57.1-2008
Configuration		
Power	FMC106	GbE/10 GbE module dependant
Environmental	Temperature	Operating temperature: –5° to 55° C (air flow requirement of >400 LFM, industrial versions also available (See environmental spec sheet) Storage temperature: –40° to +85° C
	Vibration	Operating 9.8 m/s ² (1G), 5 to 500 Hz
	Shock	30Gs on each axis
	Relative Humidity	5 to 95 percent, non-condensing
Front Panel	Interface Connectors	Dual SFP/SFP+ connectors
	LEDs	Signal Detect, Transmit ACT, Receive ACT, Present and User define
Other		
MTBF	MIL Handbook 217-F@TBD Hrs	
Certifications	Designed to meet FCC, CE and UL certifications where applicable	
Compliance	PICMG 3.0 Rev 3.0, RoHS 2 and NEBS Level 3.	
Standards	VadaTech is certified to both the ISO9001:2000 and AS9100B:2004 standards	
Warranty	Two (2) years	

INTEGRATION SERVICES AND APPLICATION-READY PLATFORMS

VadaTech has a full ecosystem of ATCA and μ TCA products including chassis platforms, shelf managers, AMC modules, Switch and Payload Boards, Rear Transition Modules (RTM), Power Modules, and more. The company also offers integration services as well as pre-configured Application-Ready Platforms. Please contact VadaTech Sales for more information

Trademarks and Disclaimer

The VadaTech logo is a registered trademark of VadaTech, Inc. Other registered trademarks are the property of their respective owners. AdvancedTCA™ and the AdvancedMC™ logo are trademarks of the PCI Industrial Computers Manufacturers Group. All rights reserved. Specification subject to change without notice.

FMC106 – FMC Dual 10 GbE with XAUI Interface

ORDERING OPTIONS

FMC106 – AB0 – 000 – GHJ

A = SFP/SFP+ Transceiver First Port

- 0 = None
- 1 = 10GBASE-SR
- 2 = Reserved
- 3 = 10GBASE-LRM
- 4 = 10GBASE-LR
- 5 = Copper 1000Base-TX
- 6 = Fiber 1GbE SX
- 7 = Fiber 1GbE LX

B = SFP/SFP+ Transceiver Second Port

- 0 = None
- 1 = 10GBASE-SR
- 2 = Reserved
- 3 = 10GBASE-LRM
- 4 = 10GBASE-LR
- 5 = Copper 1000Base-TX
- 6 = Fiber 1GbE SX
- 7 = Fiber 1GbE LX

G = FMC Board Spacing

- 0 = 10 mm (per VITA-57 specification)
- 1 = 17.5 mm *

H = Operating Temperature

- 0 = Commercial (-5° to +55° C)
- 1 = Industrial (-20° to +70° C)

J = Conformal Coating

- 0 = None
- 1 = Humiseal 1A33 Polyurethane
- 2 = Humiseal 1B31 Acrylic

* For use with carriers that require higher mating clearance, such as VadaTech AMC595. Requires full size AMC.

RELATED PRODUCTS



VT841 1U
Chassis Platform



UTC004 Gen 3
MCH



AMC532
FPGA AMC Carrier for FMC

CONTACT US

VadaTech Corporate Office

198 N. Gibson Rd.
Henderson, NV 89014
Email: info@vadatech.com
Telephone: +1 702 896-3337
Fax: +1 702 896-0332

Asia Pacific Sales Office

7 Floor, No. 2, Wenhui Street, Neihu District,
Taipei 114, Taiwan
Email: info@vadatech.com
Telephone: +886-2-2627-7655
Fax: +886-2-2627-7792

VadaTech European Sales Office

VadaTech House, Bulls Copse Road,
Southampton, SO40 9LR
Email: info@vadatech.com
Telephone: +44 2380 016403