

PCI109

PCIe x8 Gen3 Carrier for XMC with Active Cooling



PCI109

Key Features

- PCIe x8 Gen3 with re-timer to ensure performance
- Active cooling with on-board Health Management CPU
- Supports XMC power up to 70W
- RS-232 and JTAG access to the XMC module
- XMC I/O to the rear
- Support for VITA 42 and VITA 61

Benefits

- High bandwidth to XMC
- I/O interface to rear
- Design utilizes proven VadaTech subcomponents and engineering techniques
- Electrical, mechanical, software, and system-level expertise in house
- Full system supply from industry leader
- AS9100 and ISO9001 certified company



vadatech
THE POWER OF VISION



PCI109

The PCI109 is a PCIe Gen3 x8 XMC Carrier with active cooling. The module has on-board health management CPU that scans the XMC I2C bus to discover temperature sensors, then uses the temperature sensors to actively control the fan speed. If the XMC modules does not have any temperature sensors the user can set the fan speed manually via an easy-to-use menu accessible via RS-232.

The active cooling allows the XMC module to dissipate up to 70W.

The PCIe Gen3 lanes pass thru two connectors (the PCIe edge and the XMC) which impact the signal integrity of the signal. To compensate for any loss of signal the PCI109 has a PCIe Gen3 x8 re-timer. This will provide excellent signal integrity to the host as well as to the XMC module, allowing the module to run at full PCIe Gen3 rather than training down to PCIe Gen1/Gen2.

Further, the module provides easy access to the XMC JTAG signals as well as the on-board health management CPU RS-232 via I/O connector to the face-plate.

Module has ordering option per VITA 42 or VITA 62.



Figure 1: PCI109

Block Diagram

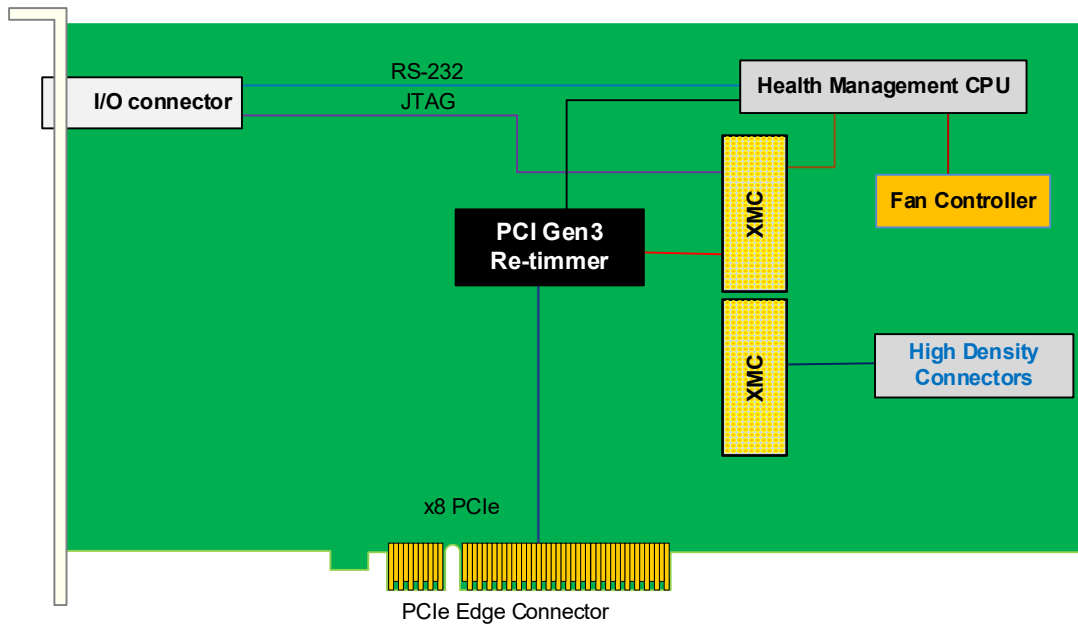


Figure 2: Functional block diagram

Specifications

Architecture	
Physical	Dimensions Single Module Width: 4.36" (110.74 mm) Depth: 12.283" (311.98 mm)
Type	PCI Carrier PCI Carrier for XMC
Standards	
PCIe	Lanes x8 Gen3
Configuration	
Power	PCI109 ~3W without the XMC; cooling XMC up to 70W (Application specific)
Environmental	Temperature See Ordering Options Storage Temperature: -40° to +85°C Vibration Operating 9.8 m/s ² (1G), 5 to 500 Hz Shock Operating 30Gs on each axis Relative Humidity 5 to 95% non-condensing
Front Panel	Interface Connectors XMC JTAG XMC I/O CPU RS-232 LEDs Power OK
Software Support	Operating System N/A
Other	
MTBF	MIL Hand book 217-F@ TBD hrs
Certifications	Designed to meet FCC, CE and UL certifications, where applicable
Standards	VadaTech is certified to both the ISO9001:2000 and AS9100B:2004 standards
Warranty	Two (2) years, see VadaTech Terms and Conditions

INTEGRATION SERVICES AND APPLICATION-READY PLATFORMS

VadaTech has a full ecosystem of OpenVPX, ATCA and MTCA products including chassis platforms, shelf managers, AMC modules, Switch and Payload Boards, Rear Transition Modules (RTMs), Power Modules, and more. The company also offers integration services as well as pre-configured Application-Ready Platforms. Please contact VadaTech Sales for more information.

Ordering Options

PCI109 – A00-000-0HJ

A = XMC Connectors		
0 = VITA 42 1 = VITA 61		
		H = Temperature Range
		0 = Commercial (–5° to +55°C) 1 = Industrial (–20° to +70°C)
		J = Conformal Coating
		0 = No coating 1 = Humiseal 1A33 Polyurethane 2 = Humiseal 1B31 Acrylic

Related Products

PCI123



- PCIe Gen3 (x16) Bus Expansion module
- Options for (1x) of x16 PCIe, (2x) of x8 PCIe or (4x) of x4 PCIe utilizing SFF-8644 connectors
- Allows the use of standard copper or fiber cabling

PCI592



- PCIe FPGA carrier for FMC+ per VITA 57
- Xilinx Kintex UltraScale™ XCKU115 FPGA
- Active cooling for FPGA and FMC+

PCI597



- Dual PCIe x16 to Xilinx UltraScale+™ VU13P FPGA
- 72 fiber transceivers egress ports
- Optical speed choice of 10G or 28G per link

Contact

VadaTech Corporate Office

198 N. Gibson Road, Henderson, NV 89014

Phone: +1 702 896-3337 | Fax: +1 702 896-0332

Asia Pacific Sales Office

7 Floor, No. 2, Wenhui Street, Neihu District, Taipei 114, Taiwan

Phone: +886-2-2627-7655 | Fax: +886-2-2627-7792

VadaTech European Sales Office

VadaTech House, Bulls Copse Road, Southampton, SO40 9LR

Phone: +44 2380 016403

info@vadatech.com | www.vadatech.com

Choose VadaTech

We are technology leaders

- First-to-market silicon
- Constant innovation
- Open systems expertise

We commit to our customers

- Partnerships power innovation
- Collaborative approach
- Mutual success

We deliver complexity

- Complete signal chain
- System management
- Configurable solutions

We manufacture in-house

- Agile production
- Accelerated deployment
- AS9100 accredited



vadatech
THE POWER OF VISION

Trademarks and Disclaimer

The VadaTech logo is a registered trademark of VadaTech, Inc. Other registered trademarks are the property of their respective owners. AdvancedTCA™ and the AdvancedMC™ logo are trademarks of the PCI Industrial Computers Manufacturers Group. All rights reserved. Specification subject to change without notice.

© 2020 VadaTech Incorporated. All rights reserved.
DOC NO. 4FM737-12 REV 01 | VERSION 1.3 – JUN/211