

# SOF208

## Dual ADC @ 6.4 GSPS with Dual DAC at 9 GSPS, SOFI Module



SOF208

### Key Features

- Dual ADC 12-bit @ 6.4 GSPS (dual ADC12DJ3200), supports four channels @ 3.2 GSPS
- Dual DAC 9-bit @ 9 GSPS TI DAC38RF82
- Sampling clock from host module
- Onboard Wideband PLL structure
- LMK04821 PLL (with 100 MHz VCXO)

The SOF208 provides dual ADC sampling rates of up to 6.4 GSPS at a 12-bit resolution (TI ADC12DJ3200 or ADC12DJ2700) or quad inputs at 3.2 GSPS. Also, dual DAC delivers update rates of up to 9 GSPS utilizing TI DAC38RF82. This makes the module suitable for signal capture/analysis applications such as COMINT/SIGINT, radar, research and instrumentation.

**NOTE:** This module is not orderable as a standalone item and must be purchased as part of an AMSxxx (AMC module) or VPSxxx (3U VPX module) product. See [SOFI Overview](#) for details.



**vadatech**  
THE POWER OF VISION





Figure 1: SOF208

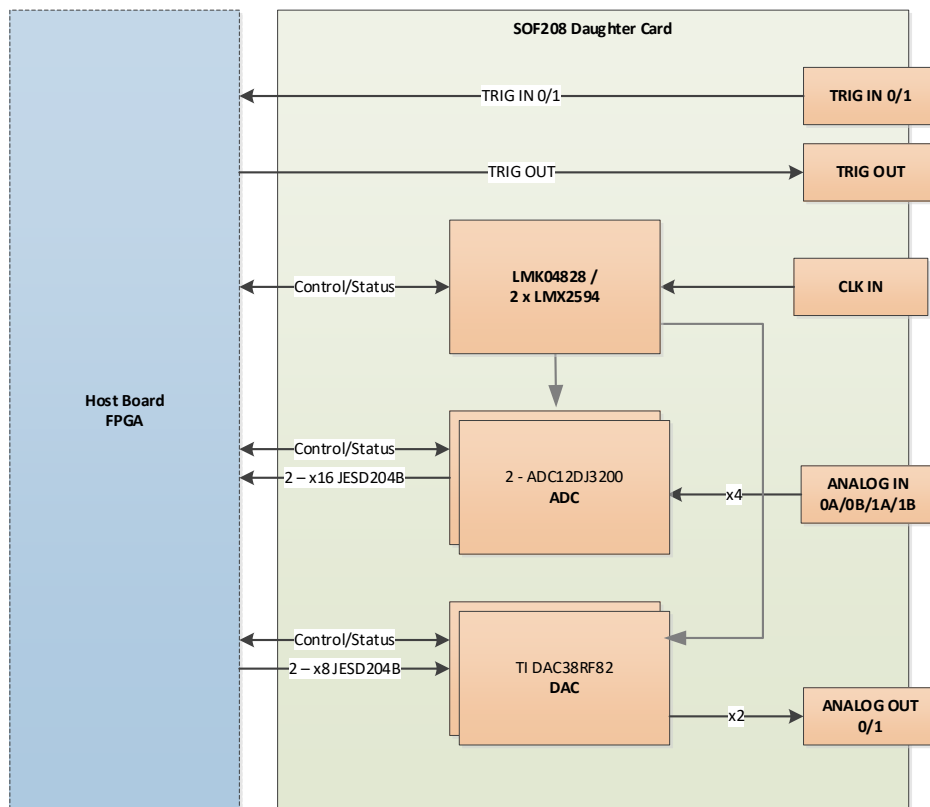


Figure 2: SOF208 Functional Block Diagram

# Contact

## VadaTech Corporate Office

198 N. Gibson Road, Henderson, NV 89014

Phone: +1 702 896-3337 | Fax: +1 702 896-0332

## Asia Pacific Sales Office

7 Floor, No. 2, Wenhua Street, Neihu District, Taipei 114, Taiwan

Phone: +886-2-2627-7655 | Fax: +886-2-2627-7792

## VadaTech European Sales Office

VadaTech House, Bulls Copse Road, Southampton, SO40 9LR

Phone: +44 2380 016403

info@vadatech.com | www.vadatech.com

# SOFI Modules

SOFI modules are physically similar to FMC modules but are incompatible with FMC carriers, and not designed to be interchangeable in the field.

See [SOFI Overview](#) for compatibility with AMC and 3U VPX carriers. If the particular combination of form factor, FPGA and ADC/DAC performance you require is not yet listed, please contact your local VadaTech sales team for details of how we can support you.

**NOTE: This module is not orderable as a standalone item and must be purchased as part of an AMSxxx (AMC module) or VPSxxx (3U VPX module) product.**



**vadatech**  
THE POWER OF VISION

## Trademarks and Disclaimer

The VadaTech logo is a registered trademark of VadaTech, Inc. Other registered trademarks are the property of their respective owners. AdvancedTCA™ and the AdvancedMC™ logo are trademarks of the PCI Industrial Computers Manufacturers Group. All rights reserved. Specification subject to change without notice.

© 2020 VadaTech Incorporated. All rights reserved.  
DOC NO. 4FM737-12 REV 01 | VERSION 1.4 – AUG/21