

VPX572

Dual ADC 12-bit @ 6.4 GSPS or
Quad ADC @ 3.2 GSPS
Virtex UltraScale+, 3U VPX



VPX572

Key Features

- Dual ADC 12-bit @ 6.4 GSPS (ADC12DJ3200) or Quad ADC @ 3.2 GSPS
- Health Management through dedicated Processor

Benefits

- XCVU13P has large internal memory
- Reference design with VHDL source code speeds application development
- Electrical, mechanical, software, and system-level expertise in house
- Full system supply from industry leader
- AS9100 and ISO9001 certified company



vadatech
THE POWER OF VISION

OpenVPXTM



VPX572

The VPX572 provides a dual ADC with sampling rates of up to 6.4 GSPS at 12-bit resolution (ADC12DJ3200). The ADCs can also be configured to run as quad channels each running at 3.2 GSPS.

The XCVU13P FPGA contains large 360 Mb on-chip UltraRAM, excellent for radar simulators and smart jammers. The FPGA interfaces directly to rear I/O via SERDES and LVDS, supporting PCIe, SRIO, GbE/10GbE/40GbE or Aurora backplane connections. General purpose I/O signals, e.g. for trigger, are routed to the front panel that also contains 8 LED/Bi-color.

ADCs have a common sampling rate, which can be fed from front panel (Direct RF Clock) or from PLL locked to a 10/100 MHz reference clock sourced from front panel or backplane. Sampling clock selection is by ordering option. The sampling on the ADCs are fully coherent with each other.

The VPX572 includes platform health management/monitoring capability using VadaTech's field-proven IPMI software. An onboard management controller has the ability to access board sensors and manage FPGA image updates.

The unit is available in a range of temperature and shock/vib specifications per ANSI/VITA 47, up to V3 and OS2.

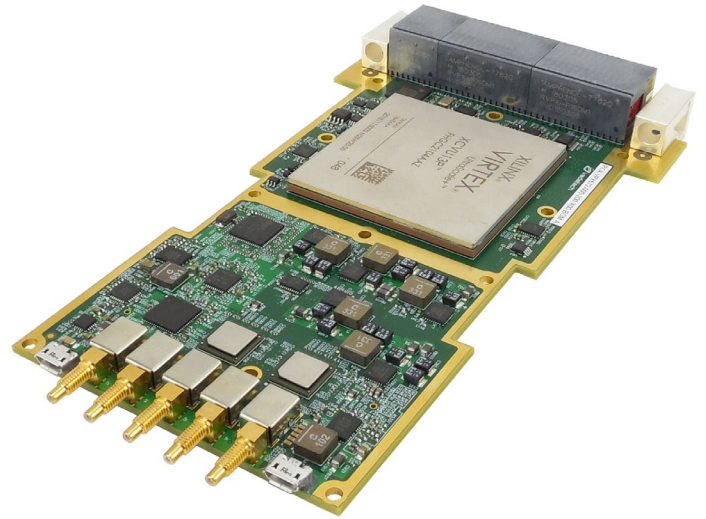


Figure 1: VPX572



Figure 2: VPX572 with the clam shell

Reference Design

VadaTech provides an extensive range of Xilinx based FPGA products. The FPGA products are in two categories; FPGA boards with FMC carriers and FPGA products with high speed ADC and DACs. The FPGA products are designed in various architectures such as AMC modules, PCIe cards and Open VPX.

VadaTech provides a reference design implementation for our FPGAs complete with VHDL source code, documentation and configuration binaries. The reference design focuses on the I/O ring of the FPGA to demonstrate low-level operation of the interconnections between the FPGA and other circuits on the board and/or backplane. It is designed to prove out the hardware for early prototyping, engineering/factory diagnostics and customer acceptance of the hardware, but it does not strive to implement a particular end application. The reference VHDL reduces customer time to develop custom applications, as the code can be easily adapted to meet customer's application requirements.

The reference design allows you to test and validate the following functionality (where supported by the hardware):

- Base and Fabric channels
- Clocks
- Data transfers
- Memory
- User defined LEDs

Xilinx provides Vivado Design Suite for developing applications on Xilinx based FPGAs. VadaTech provides reference VHDL developed using the Vivado Design Suite for testing basic hardware functionality. The reference VHDL is provided royalty free to use and modify on VadaTech products, so can be used within applications at no additional cost. However, customers are restricted from redistributing the reference code and from use of this code for any other purpose (e.g. it should not be used on non-VadaTech hardware).

The reference VHDL is shipped in one or more files based on a number of ordering options. Not all ordering options have an impact on the FPGA and a new FPGA image is created for those options that have direct impact on the FPGA. Use the correct reference image to test your hardware. For more information, refer to the FPGA reference design manual for your device which can be accessed from the customer support site along with the reference images.

Supported Software

- Default FPGA image stored in flash memory
- Linux BSP
- Build Scripts
- Device Driver
- Reference application projects for other ordering options

The user may need to develop their own FPGA code or adapt VadaTech reference code to meet their application requirements. The supplied pre-compiled images may make use of hardware evaluation licenses, where necessary, instead of full licenses. This is because VadaTech does not provide licenses for the Vivado tool or Xilinx IP cores, so please contact Xilinx where these are required.

Xilinx also provides System Generator tools for developing Digital Signal Processing (DSP) applications.

See the following links:

[Xilinx Vivado Design Suite](#), [Xilinx System Generator for DSP](#).

Software Development Acceleration

Please contact VadaTech for different software packages that are available for the VPX572.

Block Diagram

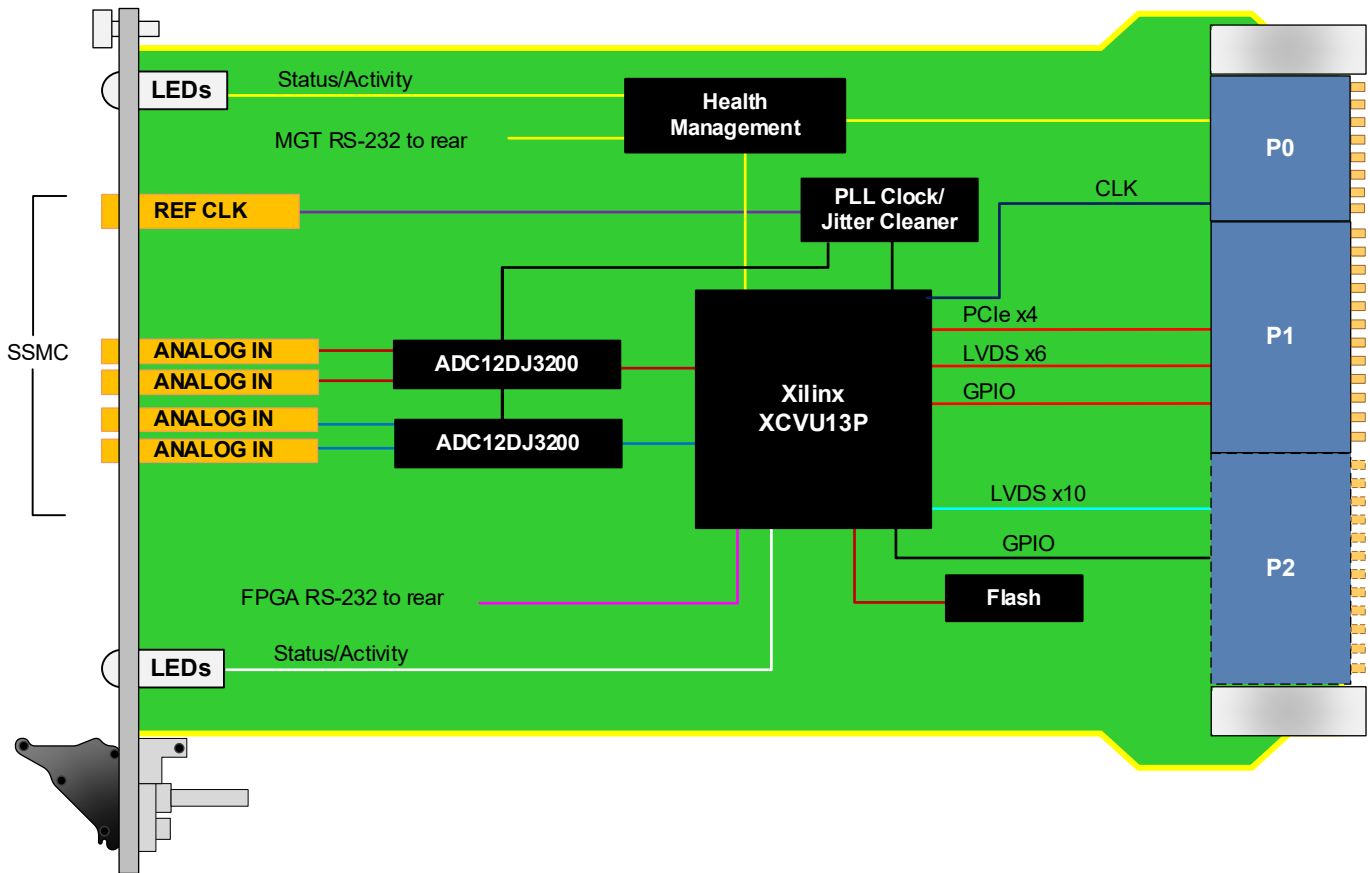


Figure 2: VPX572 Functional Block Diagram

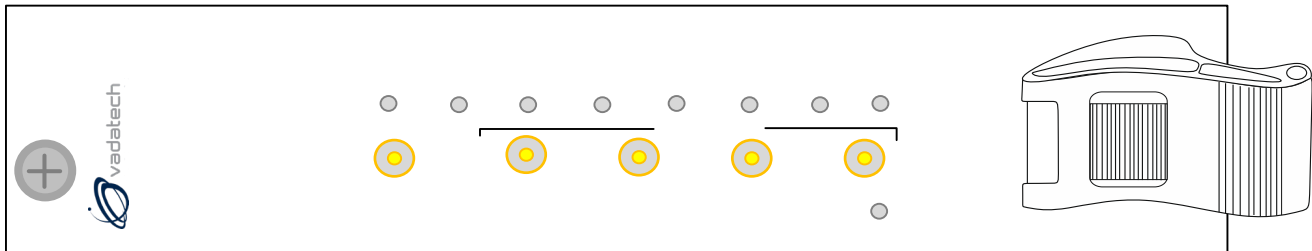


Figure 3: VPX572 Front Panel

Backplane Pinout

P2		P1	
1	N/C	1	PCIe x4
2			
3			
4	LVDS		
5			
6	N/C	5	GPIO
7	GPIO	6	
8	N/C	7	
9			
10	GPIO	8	GPIO
11			
12			
13		LVDS	
14			
15	N/C	13	N/C
16	Management	14	
Row G		Management	15
			16

Figure 4: VPX572 Backplane Pinout

Specifications

Architecture		
Physical	Dimensions	3U, 1" pitch
Type	Controller	OpenVPX payload module with Health Management
Standards		
VPX	Type	VITA 46.x
VPX	Type	VITA 65 OpenVPX
Module Management	IPMI	IPMI v2.0
Configuration		
Power	VPX572	65W FPGA load dependent
Front Panel	Interface Connectors	General purpose I/O via RTM
		Analog input via SSMC
		LVDS I/O via RTM
		Clock via SSMC
	Micro USB	RS-232 from FPGA and RS-232 from Health Management
	LEDs	User defined by the FPGA (8 LED/Bi-color) and Health Management
VPX Interfaces	Slot Profiles	See Ordering Options
	Rear IO	Health Management, Clock on P0
		PCIe x4 on P1 GPIO and LVDS on P1/P2
Software Support	Operating System	Agnostic
Other		
MTBF	MIL Hand book 217-F@ TBD hrs	
Certifications	Designed to meet FCC, CE and UL certifications, where applicable	
Standards	VadaTech is certified to both the ISO9001:2015 and AS9100D standards	
Warranty	Two (2) years, see VadaTech Terms and Conditions	

INTEGRATION SERVICES AND APPLICATION-READY PLATFORMS

VadaTech has a full ecosystem of OpenVPX, ATCA and MTCA products including chassis platforms, shelf managers, AMC modules, Switch and Payload Boards, Rear Transition Modules (RTMs), Power Modules, and more. The company also offers integration services as well as pre-configured Application-Ready Platforms. Please contact VadaTech Sales for more information.

Ordering Options

VPX572 – 00C-DE0-GHJ

	D = FPGA Speed 1 = High (-2)* 2 = High (-2LE) 3 = Highest (-3E)*	G = Slot Profile 0 = 5 HP, VITA 48.1
	E = FPGA Package 0 = FHGC2104 1 = FIGD2104	H = Environmental See Environmental Specification
C = VPX Connector Type 0 = Standard 50u Gold Rugged 1 = KVPX Connectors		J = Conformal Coating 0 = No coating 1 = Humiseal 1A33 Polyurethane 2 = Humiseal 1B31 Acrylic

Notes:

*Minimum order quantity.

For operational reasons VadaTech reserves the right to supply a higher speed FPGA device than specified on any particular order/delivery at no additional cost, unless the customer has entered into a Revision Lock agreement with respect to this product.

Environmental Specification

Option H	Air Cooled			Conduction Cooled		
	H = 0	H = 1	H = 2	H = 3	H = 4	
Operating Temperature	AC1* (0°C to +55°C)	AC3* (-40°C to +70°C)	CC1* (0°C to +55°C)	CC3* (-40°C to +70°C)	CC4* (-40°C to +85°C)	
Storage Temperature	C1* (-40°C to +85°C)	C3* (-50°C to +100°C)	C1* (-40°C to +85°C)	C3* (-50°C to +100°C)	C3* (-50°C to +100°C)	
Operating Vibration	V2* (0.04 g2/Hz max)	V2* (0.04 g2/Hz max)	V3* (0.1 g2/Hz max)	V3* (0.1 g2/Hz max)	V3 (0.1 g2/Hz max)	
Storage Vibration	OS1* (20g)	OS1* (20g)	OS2* (40g)	OS2* (40g)	OS2* (40g)	
Humidity	95% non-condensing	95% non-condensing	95% non-condensing	95% non-condensing	95% non-condensing	

Notes:

*Nomenclature per ANSI/VITA 47. Contact local sales office for conduction cooled (H = 2, 3, 4).

Related Products

VPX004



- Unified 1 GHz quad-core CPU for, Shelf Manager, and Fabric management
- Automatic fail-over with redundant VPX004
- 1GbE base switch with dual 100/1000/10G uplink

AMC590



- Quad channel high speed ADC
- UltraScale FPGA
- Front panel clock for synchronization

VPX752



- 6U VPX module Intel 5th Generation Xeon-D SoC
- PCIe Gen3 x 16 (dual x8 or Quad x4)
- Quad 10GbE XAUI

VTX870



- Open VPX benchtop development platform
- Dedicated Switch/management slot
- Up to five 3U VPX payload slots

Contact

VadaTech Corporate Office

198 N. Gibson Road, Henderson, NV 89014

Phone: +1 702 896-3337 | Fax: +1 702 896-0332

Asia Pacific Sales Office

7 Floor, No. 2, Wenhui Street, Neihu District, Taipei 114, Taiwan

Phone: +886-2-2627-7655 | Fax: +886-2-2627-7792

VadaTech European Sales Office

VadaTech House, Bulls Copse Road, Southampton, SO40 9LR

Phone: +44 2380 016403

info@vadatech.com | www.vadatech.com

Choose VadaTech

We are technology leaders

- First-to-market silicon
- Constant innovation
- Open systems expertise

We commit to our customers

- Partnerships power innovation
- Collaborative approach
- Mutual success

We deliver complexity

- Complete signal chain
- System management
- Configurable solutions

We manufacture in-house

- Agile production
- Accelerated deployment
- AS9100 accredited



vadatech
THE POWER OF VISION

Trademarks and Disclaimer

The VadaTech logo is a registered trademark of VadaTech, Inc. Other registered trademarks are the property of their respective owners. AdvancedTCA™ and the AdvancedMC™ logo are trademarks of the PCI Industrial Computers Manufacturers Group. All rights reserved. Specification subject to change without notice.

© 2020 VadaTech Incorporated. All rights reserved.
DOC NO. 4FM737-12 REV 01 | VERSION 3.0 – JAN/22