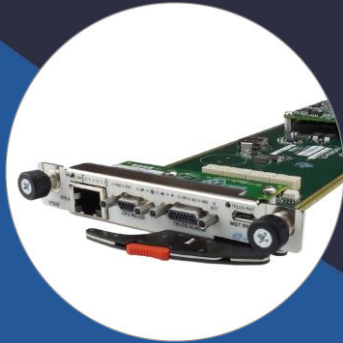


VT037

ATCA Shelf Manager for VT835



VT037

Key Features

- Quad core ARM processor @ 1GHz per core
- One GB DDR3 Memory
- FRAM for log messages
- Field upgradable with dual boot flash
- Telco alarms
- Isolated DC/DC converter
- IPMI 2.0 compliant

Benefits

- Active/standby redundancy when utilizing two VT037s
- Rich set of Management software such as HPI, RMCP, SNMP, CLI, HTTP, etc.
- VT037 can run as an IPMI protocol analyser to monitor all IPMB busses
- Full system supply from industry leader
- AS9100 and ISO9001 certified company

Advanced TCA®



vadatech
THE POWER OF VISION



VT037

The VadaTech VT037 is a Shelf Manager for the VT835 chassis. The VT037 has 5W power consumption. The VT037 can also run as a protocol analyzer to monitor, inject, capture and validate I2C traffic on the Intelligent Platform Management Bus (IPMB) busses.

A Graphical User Interface (GUI) validates and displays the IPMI packets or schedules IPMI messages for injection into the shelf. The GUI application communicates with the VT037 through the Ethernet port.

Each IPMI bus has a 64-byte FIFO to allow for a full IPMI packet on each I2C bus so there is no packet loss during operation.

When two VT037s are in the system, they operate in redundant active/standby mode. During operation one VT037 is active while the second one is synchronized in hot standby mode. The VT037 is fully hot-swappable to minimize service down time. Lithium Battery and/or Super CAP for the Real Time Clock.



VadaTech IPMI Trace Viewer 2.1

Filter: Platform Event & Request

No.	Time	Bus	Dir	Src	Dest	Seq	Net Fn	Command
722	77.050.000	IPMB-A	REQ	0x92	0x20	16	Sensor/Event	Platform Event
724	77.330.000	IPMB-A	REQ	0x88	0x20	1	Sensor/Event	Platform Event
725	77.410.000	IPMB-A	REQ	0x90	0x20	20	Sensor/Event	Platform Event
728	77.740.000	IPMB-B	REQ	0x88	0x20	2	Sensor/Event	Platform Event
729	77.810.000	IPMB-B	REQ	0x92	0x20	20	Sensor/Event	Platform Event
730	77.830.000	IPMB-A	REQ	0x92	0x20	8	Sensor/Event	Platform Event
731	77.840.000	IPMB-B	REQ	0x92	0x20	12	Sensor/Event	Platform Event
732	77.870.000	IPMB-A	REQ	0x92	0x20	16	Sensor/Event	Platform Event
735	78.210.000	IPMB-A	REQ	0x88	0x20	3	Sensor/Event	Platform Event
736	78.230.000	IPMB-B	REQ	0x90	0x20	20	Sensor/Event	Platform Event
738	78.610.000	IPMB-B	REQ	0x88	0x20	4	Sensor/Event	Platform Event
739	78.640.000	IPMB-B	REQ	0x92	0x20	20	Sensor/Event	Platform Event
740	78.650.000	IPMB-A	REQ	0x92	0x20	8	Sensor/Event	Platform Event
741	78.660.000	IPMB-B	REQ	0x92	0x20	12	Sensor/Event	Platform Event
742	78.690.000	IPMB-A	REQ	0x92	0x20	16	Sensor/Event	Platform Event
743	79.020.000	IPMB-A	REQ	0x88	0x20	5	Sensor/Event	Platform Event
744	79.050.000	IPMB-A	REQ	0x90	0x20	20	Sensor/Event	Platform Event
745	79.430.000	IPMB-B	REQ	0x88	0x20	6	Sensor/Event	Platform Event
746	79.460.000	IPMB-R	REQ	0x92	0x20	20	Sensor/Event	Platform Event

Request: 0x88 -> 0x20 Platform Event (Sensor/Event) (seq 2)

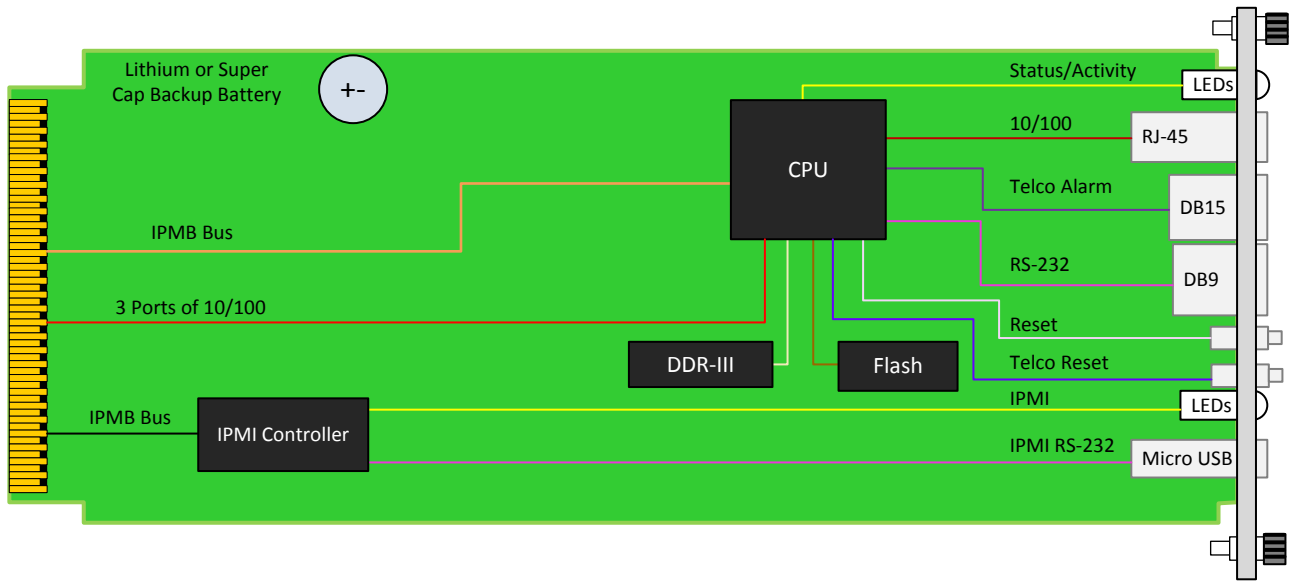
Header

Body

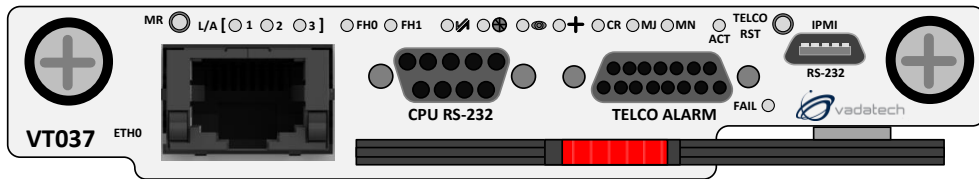
- Event Message Revision : 0x04 (4)
- Sensor Type : 0x01 (Temperature)
- Sensor Number : 0x02 (2)
- Event Type : 0x01 (Threshold)
- Event Direction : 0x01 (Deassertion)
- Offset : 0x07 (Upper Non-Critical Going High)
- Byte 2 Encoding : 0x01 (Trigger Reading)
- Byte 3 Encoding : 0x01 (Trigger Value)
- Reading : 0x31 (49)
- Threshold : 0x32 (50)

0x20 0x10 0xd0 0x88 0x9 0x2 0x4 0x1 0x2 0x81 0x57 0x31 0x32 0x2b

Block Diagram



Front Panel



Specifications

Architecture		
Physical	Dimensions	Width: 3.07" (78 mm)
		Depth: 11.46" (291 mm)
		Height 3HP
Type	Shelf Manager	For VadaTech VT835 ATCA Chassis
Standards		
ATCA	Type	PICMG 3.0 Revision 2.0
Module Management	IPMI	Version 2.0
Configuration		
Power	VT037	5W
Environmental	Temperature	Operating temperature: -5° to 45° C (55°C for limited time, performance restrictions may apply), industrial and extended versions also available (See environmental spec sheet)
		Storage Temperature: -40° to +85°C
	Vibration	Operating 9.8 m/s ² (1G), 5 to 500Hz on each axis
	Shock	Operating 30Gs on each axis
Front Panel	Interface Connectors	DB-15 for Telco Alarm
		DB9 for CPU RS-232
		RJ-45 for 10/100
		Micro USB for IPMI RS-232
		Push buttons for Reset and Telco Alarm clear
	LEDs	IPMI, Activity and Status
Software Support	Operating System	N/A
Conformal Coating		Humiseal 1A33 Polyurethane (Optional)
		Humiseal 1B31 Acrylic (Optional)
Other		
MTBF		MIL Hand book 217-F@ TBD hrs
Certifications		Designed to meet FCC, CE and UL certifications, where applicable
Standards		VadaTech is certified to both the ISO9001:2000 and AS9100B:2004 standards
Warranty		Two (2) years

INTEGRATION SERVICES AND APPLICATION-READY PLATFORMS

VadaTech has a full ecosystem of ATCA and μ TCA products including chassis platforms, shelf managers, AMC modules, Switch and Payload Boards, Rear Transition Modules (RTM), Power Modules, and more. The company also offers integration services as well as pre-configured Application-Ready Platforms. Please contact VadaTech Sales for more information.

Trademarks and Disclaimer

The VadaTech logo is a registered trademark of VadaTech, Inc. Other registered trademarks are the property of their respective owners. AdvancedTCA™ and the AdvancedMC™ logo are trademarks of the PCI Industrial Computers Manufacturers Group. All rights reserved. Specification subject to change without notice.

Ordering Options

VT037 – 0B0-000-00J

B = Battery		
0 = Lithium 1 = Super Cap 2 = Lithium and Super Cap		
		J = Temperature Range and Coating
0 = Commercial (–5° to +55° C), No coating 1 = Commercial (–5° to +55° C), Humiseal 1A33 Polyurethane 2 = Commercial (–5° to +55° C), Humiseal 1B31 Acrylic 3 = Industrial (–20° to +70° C), No coating 4 = Industrial (–20° to +70° C), Humiseal 1A33 Polyurethane 5 = Industrial (–20° to +70° C), Humiseal 1B31 Acrylic		

Related Products

VT835



- 19" rack mount 3U ATCA Hybrid
- 1x ATCA slot, 8 mid-size AMC slots and 2x ATCA RTM slots
- 40G or 10G fabric across the backplane

ATC126



- Dual 14-core Intel® Xeon® E5-2658, 2680 or 2648L v4 processors
- Eight banks of DDR4 for up to 256 GB memory
- 10/40GbE Fabric channels

VT830



- 19" rackmount 6U ATCA Chassis with integrated Switch and Shelf Manager
- 10GbE/GbE Managed Layer 2
- 40GbE/10GbE/GbE Managed Layer 3

Contact

VadaTech Corporate Office

198 N. Gibson Road, Henderson, NV 89014

Phone: +1 702 896-3337 | Fax: +1 702 896-0332

Asia Pacific Sales Office

7 Floor, No. 2, Wenhua Street, Neihu District, Taipei 114, Taiwan

Phone: +886-2-2627-7655 | Fax: +886-2-2627-7792

VadaTech European Sales Office

VadaTech House, Bulls Copse Road, Southampton, SO40 9LR

Phone: +44 2380 016403

info@vadatech.com | www.vadatech.com

Choose VadaTech

We are technology leaders

- First-to-market silicon
- Constant innovation
- Open systems expertise

We commit to our customers

- Partnerships power innovation
- Collaborative approach
- Mutual success

We deliver complexity

- Complete signal chain
- System management
- Configurable solutions

We manufacture in-house

- Agile production
- Accelerated deployment
- AS9100 accredited



vadatech
THE POWER OF VISION

Trademarks and Disclaimer

The VadaTech logo is a registered trademark of VadaTech, Inc. Other registered trademarks are the property of their respective owners. AdvancedTCA™ and the AdvancedMC™ logo are trademarks of the PCI Industrial Computers Manufacturers Group. All rights reserved. Specification subject to change without notice.

© 2017 VadaTech Incorporated, All rights reserved.
DOC NO. 4FM737-12 REV 01 | VERSION 1.0 – AUG/17