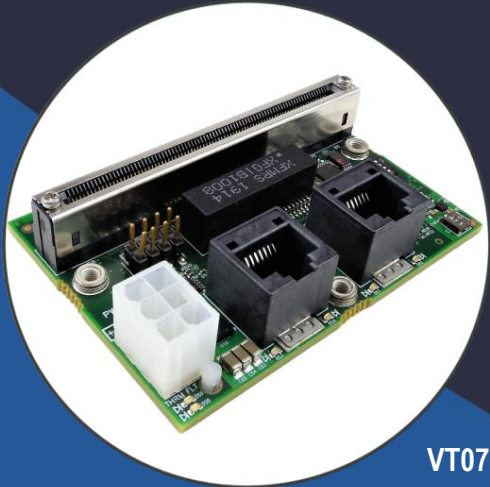


VT072

Single Slot Backplane for AMC Modules



VT072

Key Features

- Single slot AMC backplane
- Provides +12V and Management Power to the AMC Module
- Port 0 and 1 are routed to the GbE PHY
- Three M3 Mounting holes to mate to any frame size

Benefits

- Low-cost test/dev board for AMC modules
- Design utilizes proven VadaTech subcomponents and engineering techniques
- Electrical, mechanical, software, and system-level expertise in house
- Full system supply from industry leader
- AS9100 and ISO9001 certified company



vadatech
THE POWER OF VISION



VT072

The VT072 is a single slot backplane which allows any AMC.1, AMC.2, AMC.3 or AMC.4 to be utilized. The board is ideal for low-cost testing/development of AMC modules.

The VT072 requires +12V input power (connector part number 1586039-6 from TE) applied from an external power supply.

Please make sure the AMC is inserted in the correct origination into the VT072 connector or the AMC module will be damaged.



Figure 1: VT072

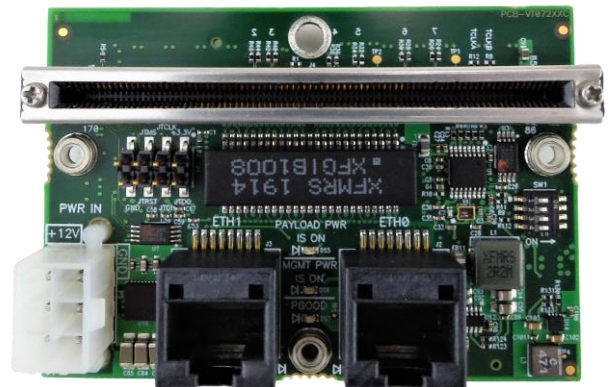


Figure 2: VT072 Top View

Block Diagram

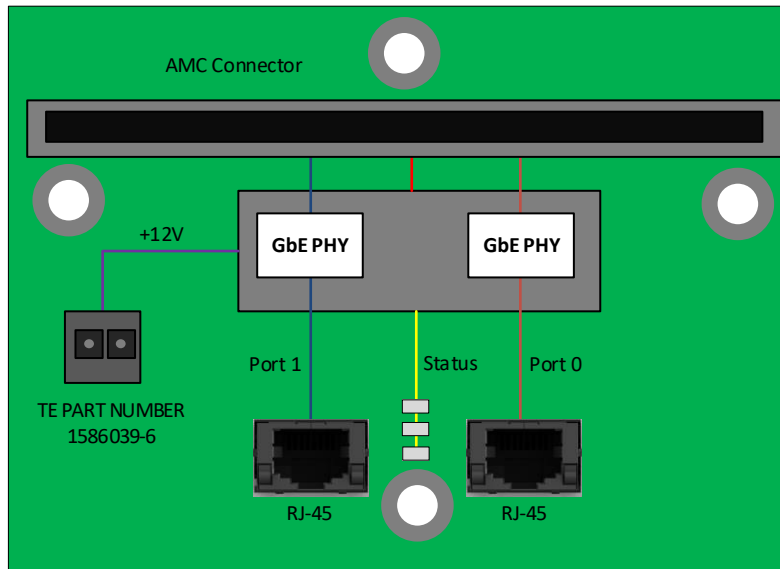


Figure 3: VT072 Functional Block Diagram

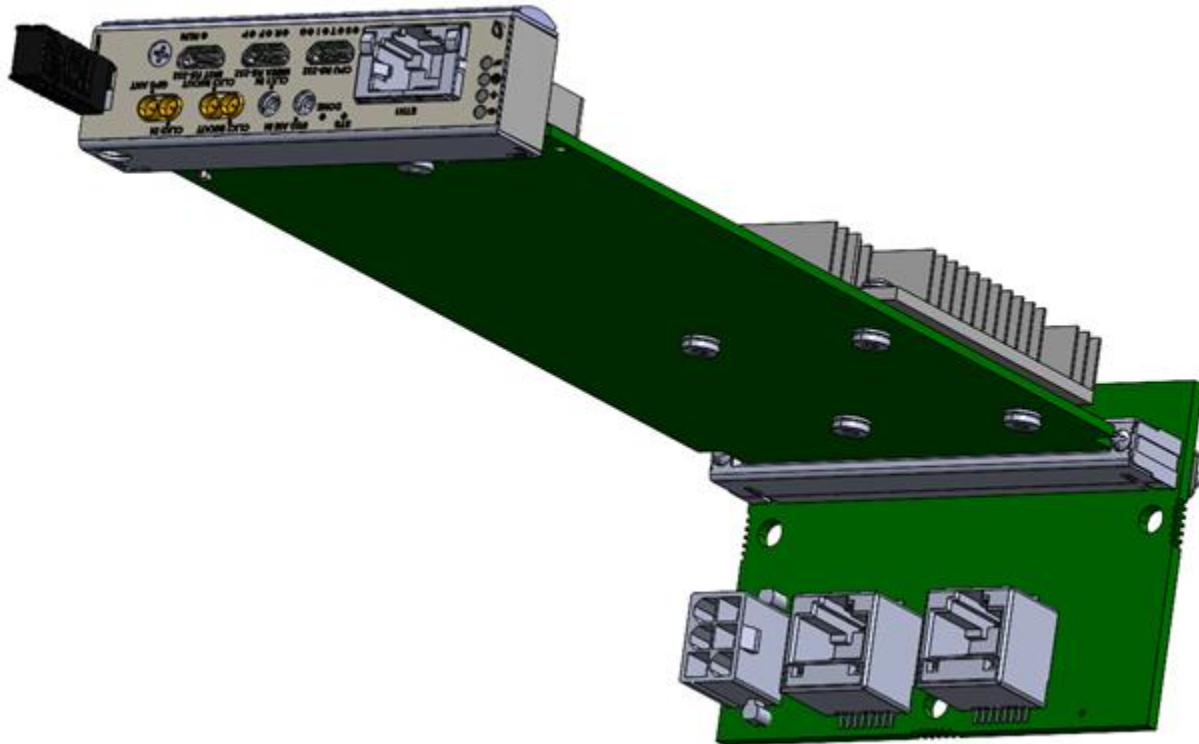


Figure 4: Orientation of the AMC into the VT072

Specifications

Architecture	
Physical	Dimensions Width: 3" (76.2 mm) Length: 1.75" (44.45 mm)
Type	Backplane Single slot
Standards	
AMC	PICMG AMC.0
Configuration	
Power	VT072 2W
Environmental	Temperature See Ordering Options Storage Temperature: -40° to +90°C
	Vibration Operating 9.8 m/s ² (1G), 5 to 500 Hz on each axis
	Shock Operating 30G each axis
	Relative Humidity 5 to 95% non-condensing
Front Panel	Interface Connectors x2 RJ-45 for GbE 12V power supply connector
	LEDs Payload power, Management power and PCIe Lane Good
Other	
MTBF	MIL Hand book 217-F@ TBD hrs
Certifications	Designed to meet FCC, CE and UL certifications, where applicable
Standards	VadaTech is certified to both the ISO9001:2000 and AS9100B:2004 standards
Warranty	Two (2) years, see VadaTech Terms and Conditions

INTEGRATION SERVICES AND APPLICATION-READY PLATFORMS

VadaTech has a full ecosystem of OpenVPX, ATCA and MTCA products including chassis platforms, shelf managers, AMC modules, Switch and Payload Boards, Rear Transition Modules (RTMs), Power Modules, and more. The company also offers integration services as well as pre-configured Application-Ready Platforms. Please contact VadaTech Sales for more information.

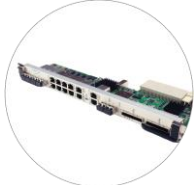
Ordering Options

VT072 – 000-000-0HJ

		H = Temperature Range 0 = Commercial 1 = Reserved
		J = Conformal Coating 0 = No coating 1 = Humiseal 1A33 Polyurethane 2 = Humiseal 1B31 Acrylic

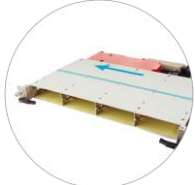
Related Products

ART131



- Zone three dual PCIe x8 to I-Pass connectors
- Managed Layer two GbE switch
- 8 GbE 10/100/1000 copper Ports

ATC133



- 10G ATCA Carrier
- Managed Layer 2 software
- Four full-size AMC slots

VT830



- 19" rackmount 6U ATCA Chassis with integrated Switch and Shelf Manager
- 10GbE/GbE Managed Layer 2
- 40GbE/10GbE/GbE Managed Layer 3

Contact

VadaTech Corporate Office

198 N. Gibson Road, Henderson, NV 89014

Phone: +1 702 896-3337 | Fax: +1 702 896-0332

Asia Pacific Sales Office

7 Floor, No. 2, Wenhua Street, Neihu District, Taipei 114, Taiwan

Phone: +886-2-2627-7655 | Fax: +886-2-2627-7792

VadaTech European Sales Office

VadaTech House, Bulls Copse Road, Southampton, SO40 9LR

Phone: +44 2380 016403

info@vadatech.com | www.vadatech.com

Choose VadaTech

We are technology leaders

- First-to-market silicon
- Constant innovation
- Open systems expertise

We commit to our customers

- Partnerships power innovation
- Collaborative approach
- Mutual success

We deliver complexity

- Complete signal chain
- System management
- Configurable solutions

We manufacture in-house

- Agile production
- Accelerated deployment
- AS9100 accredited



vadatech
THE POWER OF VISION

Trademarks and Disclaimer

The VadaTech logo is a registered trademark of VadaTech, Inc. Other registered trademarks are the property of their respective owners. AdvancedTCA™ and the AdvancedMC™ logo are trademarks of the PCI Industrial Computers Manufacturers Group. All rights reserved. Specification subject to change without notice.

© 2019 VadaTech Incorporated. All rights reserved.
DOC NO. 4FM737-12 REV 01 | VERSION 2.1 – JUL/23