

VadaTech MicroTCA Overview

A Brief Introduction to Micro Telecommunications Computing Architecture and Concepts

January 2016
Version 2.0



Copyright

© 2016 VadaTech Incorporated, All rights reserved.

VadaTech and the globe image are trademarks of VadaTech Incorporated.

All other product or service names mentioned in this document are the property of their respective owners.

Notice

While reasonable efforts have been made to assure the accuracy of this document, VadaTech, Inc. assumes no liability resulting from any omissions in this document or from the use of the information obtained herein. VadaTech reserves the right to revise this document and to make changes periodically and the content hereof without obligation of VadaTech to notify any person of such revision or changes.

Electronic versions of this material may be read online, downloaded for personal use, or referenced in another document as a URL to the VadaTech Incorporated Web site. The text itself may not be published commercially in print or electronic form, edited, translated, or otherwise altered without the permission of VadaTech, Inc.

It is possible that this publication may contain reference to or information about VadaTech products (machines and programs), programming, or services that are not available in your country. Such references or information must not be construed to mean that VadaTech intends to announce such products, programming, or services in your country.

Trademarks

The VadaTech, Inc name and logo are registered trademarks of VadaTech Incorporated in the U.S.A. All other product or service names mentioned in this document are the property of their respective owners.

© 2016 VadaTech Incorporated. Printed in the U.S.A., All Rights Reserved.

Revision History

Doc Revision	Description of Change	Revision Date
1.0	Initial release	November 2013
1.1	Updated address and other minor corrections	March 2014
2.0	Updated document template Extended AMC section Other minor corrections and graphics updates	January 2016

Table of Contents

1	DOCUMENT OVERVIEW	8
1.1	PURPOSE.....	8
1.2	STRUCTURE.....	8
1.3	DOCUMENT REFERENCES.....	8
1.3.1	<i>Specifications</i>	8
1.3.2	<i>Related Documents</i>	9
1.4	ACRONYMS USED IN THIS DOCUMENT.....	9
1.5	CONVENTIONS USED	10
1.6	PRODUCT EXAMPLES	10
2	INTRODUCTION	11
2.1	OVERVIEW.....	11
2.2	MICROTCA ARCHITECTURE	11
2.2.1	<i>Block Diagram</i>	11
2.3	MICROTCA KEY CONCEPTS.....	12
2.3.1	<i>MicroTCA Modules</i>	12
2.3.2	<i>MicroTCA Management</i>	14
2.3.3	<i>Peripherals</i>	15
2.3.4	<i>Connectors</i>	16
3	MICROTCA CHASSIS	17
3.1	OVERVIEW.....	17
3.2	CHASSIS TYPES	17
3.3	EXAMPLE PRODUCTS	18
4	BACKPLANE	20
4.1	OVERVIEW.....	20
4.2	FABRIC SWITCHING	20
4.3	BACKPLANE PORT MAPPINGS.....	20
4.3.1	<i>Common Options</i>	21
4.3.2	<i>Fat Pipes</i>	22
4.3.3	<i>Extended Options</i>	22
4.4	FIELD REPLACEABLE UNIT (FRU) DATA	22
4.5	JTAG INTERFACE	23
5	MICROTCA CARRIER HUB – MCH	24
5.1	OVERVIEW.....	24
5.2	MCH FUNCTIONS	24
5.2.1	<i>Switched Fabric</i>	25
5.2.2	<i>Management</i>	26
5.2.3	<i>Shelf Management</i>	27
5.2.4	<i>Clock Distribution</i>	27
5.3	EXAMPLE PRODUCTS	28
6	POWER MODULES	29
6.1	OVERVIEW.....	29
6.2	POWER INPUT SOURCE	29
6.3	POWER MANAGEMENT.....	30

6.3.1	<i>Autonomous Power</i>	30
6.3.2	<i>Module Detection</i>	30
6.3.3	<i>Multiple Power Modules</i>	31
6.4	EXAMPLE PRODUCTS	31
7	COOLING UNITS	32
7.1	OVERVIEW.....	32
7.2	COOLING UNIT CONSIDERATIONS.....	32
7.3	COOLING UNIT OPERATION.....	32
8	ADVANCED MEZZANINE CARD – AMC.....	33
8.1	OVERVIEW.....	33
8.2	TYPES	33
8.3	MECHANICAL DIMENSIONS	34
8.4	AMC FEATURES	35
8.4.1	<i>Front Panel</i>	35
8.4.2	<i>LEDs</i>	35
8.4.3	<i>Front Panel Connectors</i>	35
8.4.4	<i>Hot-swap Handle</i>	36
8.4.5	<i>Interconnections</i>	36
8.4.6	<i>Management Functions</i>	37
8.4.7	<i>Sensors</i>	37
8.5	EXAMPLE PRODUCTS	37
9	MICROTCA MANAGEMENT	38
9.1	OVERVIEW.....	38
9.2	MODULE MANAGER.....	39
9.3	CARRIER MANAGER.....	39
9.3.1	<i>Carrier Manager Interfaces</i>	39
9.3.2	<i>E-Keying</i>	40
9.4	SHELF MANAGER	40
9.5	SYSTEM MANAGER.....	40
9.6	EXAMPLE PRODUCTS	40
10	MICROTCA MARKETS.....	42
10.1	OVERVIEW.....	42
10.2	ADVANTAGES OF MICROTCA.....	42
10.3	USE CASES.....	42
10.4	TYPICAL MICROTCA SYSTEM	42
10.5	BUILDING A TYPICAL MICROTCA SYSTEM	43
10.6	WHY CHOOSE VADATECH?.....	44
	NOTES	45
	CONTACT VADATECH	46
	TECHNICAL SUPPORT	46
	LOCATIONS.....	46

Figures

Figure 1: A Typical MicroTCA System Block Diagram.....	12
Figure 2: Hot-swap Process.....	15
Figure 3: An Example Front Panel.....	16
Figure 4: VT860 - Chassis Example.....	17
Figure 5: MicroTCA Chassis Types - (Image source PICMG).....	18
Figure 6: An Example AMC Backplane Connector	21
Figure 7: Fabric A Mapping to Ports 0, 1.....	21
Figure 8: Fabric B Mapping to Ports 2,3.....	21
Figure 9: Fabrics D-G Mappings to Ports 4-7 and Ports 8-11	22
Figure 10: Ports 12-15 Direct Connections Example.....	22
Figure 11: Vadatech JSM - UTC013	23
Figure 12: MCH with a Single PCB.....	24
Figure 13: MCH with Daughter Boards	25
Figure 14: Carrier Manager Interfaces.....	27
Figure 15: Vadatech Power Module - UTC010.....	29
Figure 16: Power Module Interfaces.....	30
Figure 17: AMC Dimensions.....	34
Figure 18: Generic AMC Block Diagram	35
Figure 19: AMC Connector Distribution.....	36
Figure 20: MicroTCA Management Interfaces	38
Figure 21: Screenshot of Scorpionware	41

Tables

Table 1: Acronyms.....	9
Table 2: Vadatech Chassis Examples.....	18
Table 3: Summary of MCH Fabrics	26
Table 4: AMC Form Factors.....	34

1 Document Overview

1.1 Purpose

This document provides a brief introduction to the concepts and modules related to the Micro Telecommunications Computing Architecture (MicroTCA). VadaTech products are used as examples, where applicable, to illustrate the individual modules.

1.2 Structure

This document is divided into 9 sections, to describe various modules of a MicroTCA system.

- [Introduction](#)– provides a brief introduction to the MicroTCA concepts and architecture
- [MicroTCA Chassis](#)– describes features and concepts related to MicroTCA chassis
- [Backplane](#)– describes the features and functions of the chassis Backplane
- [MicroTCA Carrier Hub – MCH](#)– describes the MicroTCA Carrier Hub and its functions
- [Power Modules](#)– describes the functions and features of the Power Modules used in the MicroTCA system
- [Cooling Units](#)– describes the use and functions of the Cooling Units in the MicroTCA system
- [Advanced Mezzanine Card – AMC](#)– describes the Advanced Mezzanine Cards used in the MicroTCA system, their features and connectors
- [MicroTCA Management](#)– describes various management modules available in a MicroTCA system
- [MicroTCA Markets](#)– describes the advantages of MicroTCA and its typical use cases.

1.3 Document References

1.3.1 Specifications

1.3.1.1 MicroTCA Specifications

The following specifications describe the implementation requirements of a MicroTCA system:

- *PICMG MTCA.0.R1.0 (base) specification*
- *PICMG MTCA.1.R1.0 specification for air cooled ruggedized applications*
- *PICMG MTCA.2.R1.0 specification for hardened air cooled ruggedized applications*
- *PICMG MTCA.3. specification for conduction cooled ruggedized applications*
- *PICMG MTCA.3.R1.0 specification for MicroTCA shelf with rear IOs*
- *PICMG MTCA.4 specification for MicroTCA shelves with additional rear IO for specialized AMCs and rear transition modules (MicroRTM)*

1.3.1.2 AMC Specifications

The following specifications describe the implementation requirements for AMC based products:

- PICMG AMC.0 (base) standard
- PICMG AMC.1 (PCIe) standard

- PICMG AMC.2 (Ethernet) standard
- PICMG AMC.3 Storage (SAS/SATA) standard
- PICMG AMC.4 (SRIO) standard

1.3.2 Related Documents

This document serves as a beginner's guide to MicroTCA system. For more information on a specific VadaTech product, refer to the product datasheet and user manual. Refer to [PICMG specifications](#), for the latest version.

1.4 Acronyms Used in this Document

Table 1: Acronyms

Acronym	Description
AMC	Advanced Mezzanine Card
ATCA	Advanced Telecommunication Computing Architecture
BSP	Board Support Package
CPU	Central Processing Unit
DDR	Double Data Rate
DIP	Dual In-line Package
ECC	Error Correction Coding
EMMC	Enhanced Module Management Controller
GB	Gigabyte
GbE	Gigabit Ethernet
GHz	Gigahertz
GND	Ground
IPMB	Intelligent Platform Management Bus
IPMI	Intelligent Platform Management Interface
LED	Light Emitting Diode
MHz	Megahertz
MicroTCA or μ TCA	Micro Telecommunications Computing Architecture
MMC	Module Management Controller
PCIe	Peripheral Component Interconnect Express
PICMG	PCI Industrial Computer Manufacturers Group
PrAMC	Processor AMC
SerDes	Serializer-Deserializer
SHLD	Shield
SWaP	Size, Weight and Power
USB	Universal Serial Bus
XAUI	10 Gigabit Media Independent Interface

1.5 Conventions Used

The following conventions are used in this document:



Important information, when ignored can cause serious damage to the user or the device is described using this symbol

Note

Important information, when ignored can cause abnormal behavior of the product is described using this font style.

1.6 Product Examples

VadaTech products are given as examples, where applicable, at the end of each section as example products. This list is not definitive and contact VadaTech sales or visit [Vadatech Website](#) for more information on latest products. VadaTech also provides custom design of the products to suit your application, contact VadaTech sales team to discuss your application design requirement.

2 Introduction

2.1 Overview

The Micro Telecommunications Computing Architecture (MicroTCA) is an embedded, scalable architecture which offers flexibility to build robust systems. MicroTCA was designed as a complimentary system to the Advanced Telecommunication Computing Architecture (ATCA).

ATCA was primarily designed for the core telecommunication networks that demanded high performance and high availability at all times. Due to the modular capability and processing power of the ATCA system, there was a high demand for applications outside the telecommunications networks. This high demand formed the basis for the development of the MicroTCA architecture.

The MicroTCA specifications were first released in 2006 by the PCI Industrial Computer Manufacturers Group (PICMG®) to establish an open standard for the MicroTCA systems. The primary goal of the PICMG specifications was to allow re-use of the existing concepts of an ATCA system in small scale applications. The MicroTCA specifications support all AMC form factors, shelf management, intelligent platform management and hot swapping functionality. Visit www.picmg.org for the latest specifications.

MicroTCA was designed using the Advanced Mezzanine Card (AMC) form factor for applications that required low start-up cost, smaller physical size, lower capacity and less stringent requirements compared to an ATCA system.

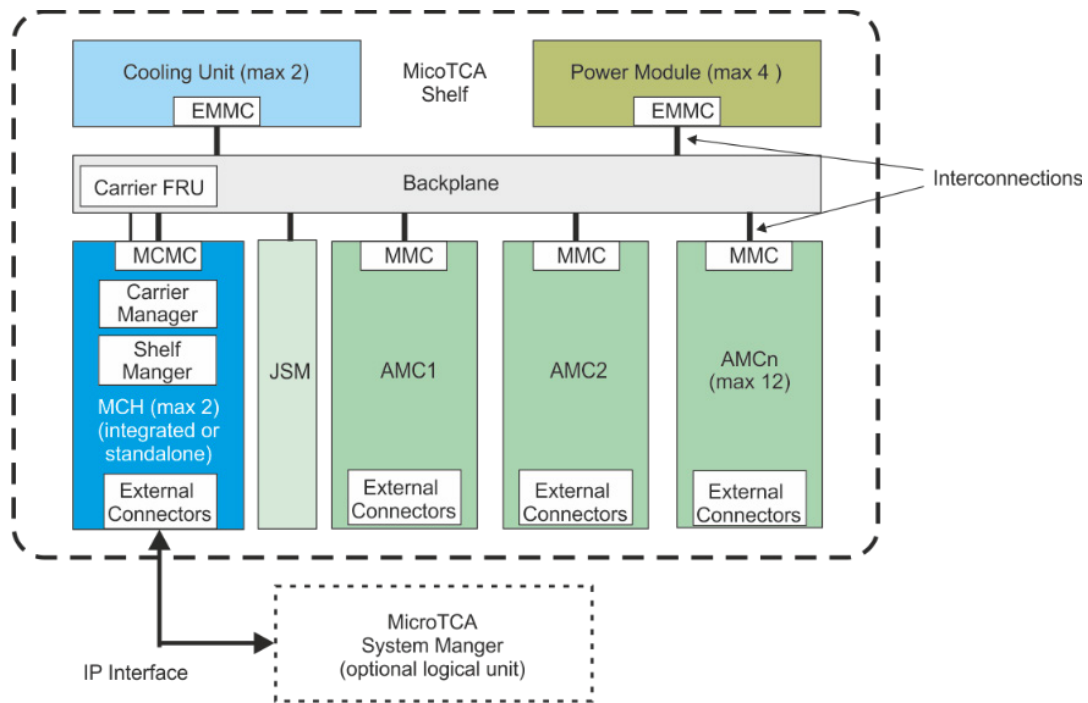
2.2 MicroTCA Architecture

A typical MicroTCA system has one or more shelves, each shelf can support up to 16 carriers and each carrier can have up to 12 AMCs modules. A Carrier Manager, Shelf Manager, Power Modules and Cooling Units are present for each shelf. An optional System Manager provides easy to use graphical interface for the system administrators and also for easy management of complex systems.

2.2.1 Block Diagram

A typical MicroTCA system contains the modules as shown in [Figure 1](#).

Figure 1: A Typical MicroTCA System Block Diagram



2.3 MicroTCA Key Concepts

Users of a telecommunication computing architecture, such as the AdvancedTCA, may find familiar MicroTCA concepts to be very similar. For users who are new to the TCA architecture, it would be helpful to review the concepts and terminology described in this section.

2.3.1 MicroTCA Modules

2.3.1.1 Advanced Mezzanine Cards (AMC)

The AMC standard was originally developed for ATCA systems and is one of the key concepts of the MicroTCA architecture. AMCs are implemented as mezzanines in an ATCA system but they are implemented as mini-blades in the MicroTCA system. AMCs allow the MicroTCA functions to be implemented in a modular structure and also allow the applications to be scalable. AMCs will contain the hardware and software for user functionality (processing and IO). For more information on AMC functions and features, see [Advanced Mezzanine Card – AMC](#).

2.3.1.2 Chassis / Shelf

A MicroTCA chassis is more than just an enclosure that provide the physical support to the MicroTCA carrier, management modules, AMCs, Power Modules, Cooling Units and other peripherals. The chassis, sometimes called a shelf or a crate, provides a managed platform to support a MicroTCA carrier. A MicroTCA shelf along with the Carrier Hub, Backplane, Power Module and Cooling Units provide the necessary framework to build a MicroTCA application.

The MicroTCA shelves are rack mountable for future expansion. Most MicroTCA chassis are designed for standard 19" racks. For more information, see [MicroTCA Chassis](#).

2.3.1.3 MicroTCA Carrier HUB (MCH)

A MicroTCA Carrier Hub or MCH is the main management module that enables and controls different modules of the MicroTCA system. The MCH is also responsible for data switching between the modules.

The MCH can be integrated into the chassis or available as a standalone unit. The standalone MCHs are implemented in AMC form factor and can be easily plugged into a MicroTCA chassis, similar to an AMC. In addition to management of the MicroTCA systems, the MCH may provide an IP interface to the System Manager. The MicroTCA specifications allow up to 2 MCH for high availability applications. For more information on the carrier hub, see [MicroTCA Carrier Hub – MCH](#).

2.3.1.4 Backplane

A passive interface that provides the required data, management and power connections to the MicroTCA modules. The Backplane along with the MCH provide the virtual carrier interface to the AMCs.

The Backplane also store carrier field replaceable unit (FRU) data. This FRU data describes the carrier capabilities of the MicroTCA carrier and this information is used by the MCH to initialize correct interfaces when a new module is inserted into the chassis. Although the Backplane is a passive component it plays an important part in supporting inter-module communications. For more information on Backplane, see [Backplane](#).

2.3.1.5 Field Replaceable Unit (FRU)

MicroTCA systems have several modules that can be added or removed in the field, these are known as Field Replaceable Units (FRU). The field replaceable units are AMC, standalone MCH, Power Modules and Cooling Units.

2.3.1.6 FRU Data

Each FRU stores the information such as module address, module interfaces, power supply requirements, etc. This information is used by the carrier and Shelf Manager to enable the required interfaces and when any incompatibility is detected they notify the user.

2.3.1.7 Power Supply

A power supply is integrated in the chassis to accept power input, convert and regulate as required by the MicroTCA system. For devices that have a Power Module integrated in the chassis, a separate power supply is not required.

2.3.1.8 Power Modules / Power Managers (PM)

Power Modules or Power Managers are intelligent modules that convert the supplied power to payload and management supplies. The Power Modules manages the power to all modules in a MicroTCA system.

The Power Modules can be integrated in the chassis and also available as standalone modules. A MicroTCA system can support up to 4 Power Modules and also be made as redundant systems. Power Modules also have features to detect a new AMC and supply necessary power and management functions. This feature enables hot-swap support without affecting the rest of the system. Once, a new module is powered up, the MCH takes control of the module management. For more information on Power Modules, see [Power Modules](#).

2.3.1.9 Cooling Units (CU)

The Cooling Units are essential to remove excess heat and prevent damage to the modules. Cooling Units have intelligence and variable fan speed support. For more information on the Cooling Units, see [Cooling Units](#).

2.3.2 MicroTCA Management

2.3.2.1 Intelligent Platform Management Interface (IPMI)

IPMI is the default management interface used in the MicroTCA systems. The IPMI uses a set of Intelligent Platform Management Bus (IPMB) such IPMB-0 and IPMB-L to provide the required management interfaces.

2.3.2.2 Module Controllers

Each module in a MicroTCA system has a module controller that is responsible for management of the individual modules. The module controllers are lowest management entity in a MicroTCA system. The module controllers monitoring and configuring various parameters and interfaces as required for the efficient operation of the module. A basic module controller known as the Module Management Controller (MMC) is present on AMCs, Power Modules and Cooling Units have Enhanced Module Management Controller (EMMC) and the MCH has a MicroTCA Carrier Management Controller (MCMC) that provides additional interfaces to the Carrier Manger and the System Manager. For more information on module controllers, see [MicroTCA Management](#).

2.3.2.3 Sensor Interfaces

MicroTCA uses the sensor input PS1 to detect a module and uses the ENABLE interface to enable a module.

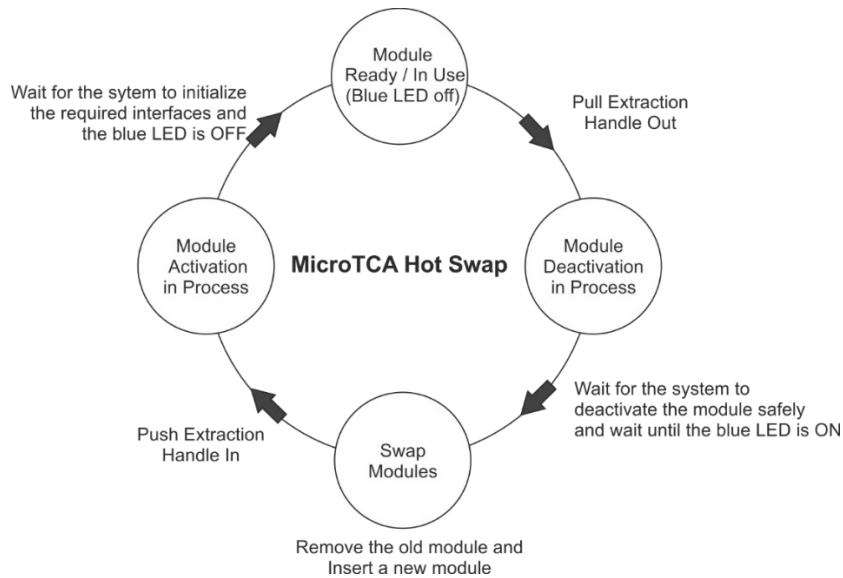
2.3.2.4 Electronic Keying (E-Keying)

Electronic keying or E-Keying is a process of electronically identifying the electronic capabilities of a given module. This helps the Power Module, Carrier Manager and Shelf Managers to detect any potential conflicts and avoid damage to the device due to incompatible interfaces.

2.3.2.5 Hot Swap

Hot swap is the process of adding or removing a MicroTCA module (AMC, MCH, PM or CU) without shutting down a system as shown in [Figure 2](#).

Figure 2: Hot-swap Process



2.3.2.6 Carrier Manager

A Carrier Manager is the management unit that is responsible for managing a single MicroTCA carrier. A MicroTCA carrier is implemented with the combination of a MCH and a Backplane. The terminology reflects the fact that in ATCA systems the AMCs would be mounted on a carrier, so the MCH and Backplane effectively replace that carrier.

2.3.2.7 Shelf Manager

A Shelf Manager can manage up to 16 carriers and can be implemented in an AMC, MCH or as an external module. In most MicroTCA systems, the Shelf Manager is implemented in the MCH.

2.3.2.8 System Manager

A System Manager is a logical management unit that provides a graphical interface to the system administrators. The System Manager communicates to a MicroTCA system through an IP interface. The System Manager generally communicates with the Carrier Manager and a Shelf Manager to get information about the carrier and modules.

2.3.3 Peripherals

2.3.3.1 Front Panel

The MicroTCA chassis and the AMC module have a front panel that contains external connectors and LEDs. The front panels typically include EMC screening gasket.

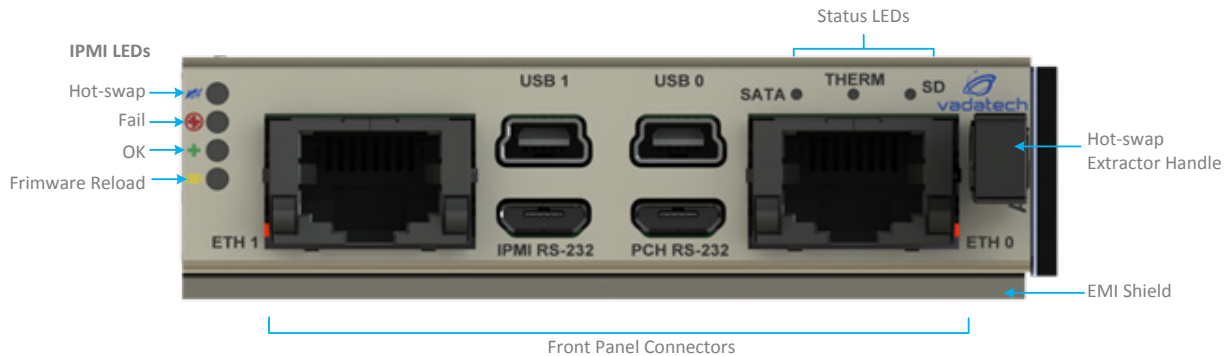
2.3.3.2 LEDs

There are several Light Emitting Diodes (LED) used on the chassis front panel to provide visual feedback to the users. Typically the LEDs notify the users about the system activity and system failure. The AMCs have at least 2 LEDs to provide the status of hot swap activity and module failure notification.

2.3.3.3 Extractor Handle

All AMCs and field replaceable MCH have an extractor handle that includes a mechanical lock to keep the module in place. Once a module is inserted and the extractor handle is pushed in; this initiates the E-Keying process. To remove a module, the extractor handle is pulled out and the user must wait for the hot swap LED to indicate that the unit has been powered down. Once the hot swap LED is solid ON, the module can be safely removed from the MicroTCA unit.

Figure 3: An Example Front Panel



2.3.4 Connectors

2.3.4.1 External Connectors

The front panel of the MicroTCA chassis, MCH and the AMC have a set of external connectors to enable external communication with a MicroTCA system. Some of the commonly available external ports are Ethernet ports, Graphic ports, USB ports and Fibre Optics. The chassis front panel may also have a port to support ESD clamps.

2.3.4.2 Backplane Connectors

The AMC, MCH, PM and CUs have high speed connections to the Backplane using the Backplane connectors. The AMCs have two types of Backplane connectors, basic and extended. The basic connectors are the minimum set of data connections required in a MicroTCA application. The extended connectors enable the AMCs to support multiple protocols and interface.

2.3.4.3 Fabrics

Fabrics are high speed data connection links in a MicroTCA system. Commonly supported fabrics are GbE, 10 GbE (XAUI), InfiniBand, PCI express, Serial Rapid IO (SRIO) and Fibre Optic.

2.3.4.4 SerDes

A Serializer - Deserializer (SerDes) is used to convert the serial signals to parallel signals and vice versa at each end of the GbE fabric.

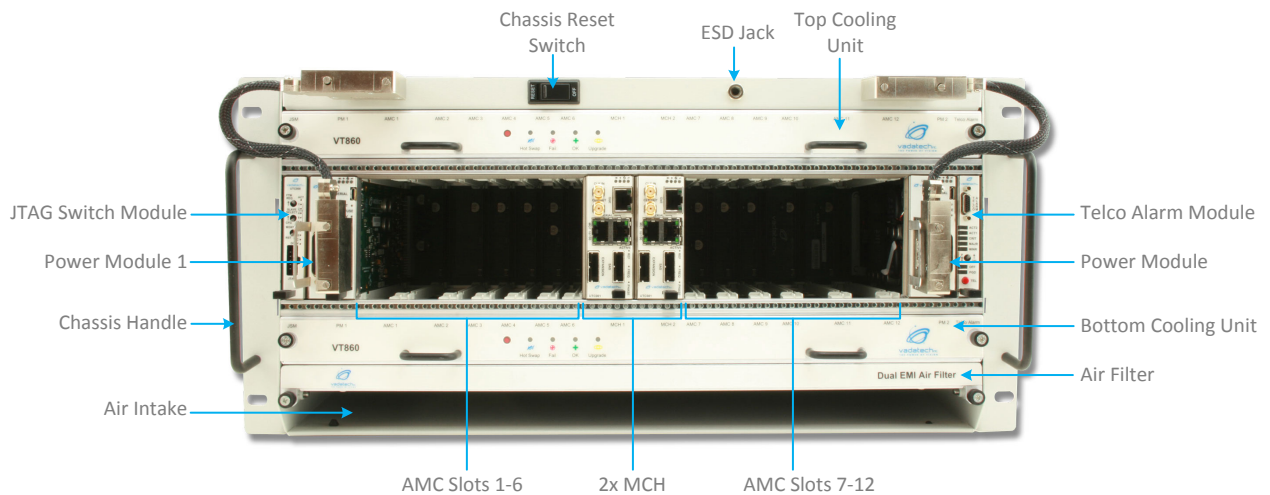
3 MicroTCA Chassis

3.1 Overview

The MicroTCA chassis, also known as the shelf in the MicroTCA systems, provide a managed platform and physical support to the individual modules. The primary functions of a chassis is to provide physical support to the modules, maintain alignment of the modules, provide cable management and allow sufficient air flow.

The chassis houses the AMCs, MCH, Backplane, Power Modules, Cooling Units, LEDs and connectors. A MicroTCA shelf always holds the Backplane and in many designs the power manager, cooling and MCH functions are also integrated in the shelf.

Figure 4: VT860 - Chassis Example



3.2 Chassis Types

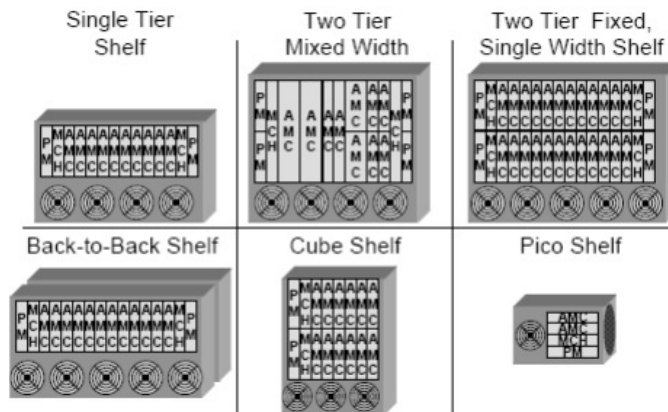
The MicroTCA specifications allow designers and manufacturer to have flexible design patterns to develop a MicroTCA chassis. The chassis can be designed for a specific custom application or more generic designed to support multiple applications. A chassis design depends on the following factors:

- Number of AMCs slots required
- Number of MCH slots required
- Number of Power Modules required
- Types of power input sources
- Number and types of external connectors to be supported
- Type of cooling required (air cooled or conduction cooled)
- Direction of air flow required
- Module width (fixed width or mixed)
- Orientation of modules
- Application environment (ruggedized or not)

In some configurations of the chassis, the MCH can be integrated in the chassis to provide compact design and easy start-up for the users. For example, Vadatech VT84x and VT85x range of chassis have an integrated MCH.

Some common chassis types are shown in Figure 5.

Figure 5: MicroTCA Chassis Types - (Image source PICMG)







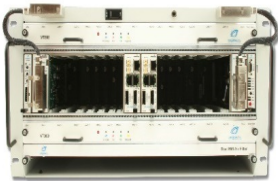

Other variations and shelf sizes may be designed to suit a specific application type and environment.

3.3 Example Products

Table 2 describes some VadaTech chassis designs.

Table 2: Vadatech Chassis Examples

Product Part Number	Product Image	Chassis Type	Integrated MCH	Chassis Width (inches)	Chassis Height (in rack units)
VT811		Double width	No	19	8
VT84x		Single width	Yes	19	1
VT85x		Single width	Yes	19	1

Product Part Number	Product Image	Chassis Type	Integrated MCH	Chassis Width (inches)	Chassis Height (in rack units)
VT86x		Single width	No	19	5
VT870		Mixed size support	No	¾ Air Transport Rack (ATR)-	
VT875		Mixed size support	No	¾ Air Transport Rack	1
VT88x		Mixed size	No	19	2
VT89x		Single width	No	19	7
VT899		Mixed size	No	5	7

Product images in this document are for illustration purposes only, the actual product may vary depending on the selected ordering option, refer to your product datasheet for available options or contact VadaTech sales team to discuss any customization requirements.

4 Backplane

4.1 Overview

The Backplane is an essential component of a MicroTCA system providing the necessary data, management and power connectivity between different parts of the MicroTCA system. The Backplane is a passive element and along with the MCH provides a virtual carrier infrastructure to allow an AMC to function normally without any modifications from when used in ATCA system.

The following types of connections are provided by the Backplane:

- Direct point to point connections between AMCs
- MCH to AMC connections
- Indirect connections between the AMCs through the MCH.

4.2 Fabric Switching

The primary function of a MicroTCA Backplane is to provide data connectivity between various modules of the MicroTCA system. The MicroTCA specifications allow lot of flexibility to design the Backplane and a typical MicroTCA system can support up to seven switched fabrics to provide the required interconnectivity, but each AMC will only use one fabric.

The Backplane may use the same ports to support different fabrics but the MCH is responsible for fabric switching. The Backplane can be designed for a specific application with fewer fabrics or a generic Backplane to support multiple applications, but careful consideration must be given to MCH, AMC and the required fabrics to avoid conflicts.

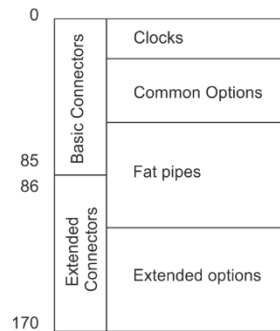
The AMC.x sub-specifications provide the details of port mapping for individual fabric, but the flexibility in the base specifications allow for multiple fabrics to be used and may cause conflicts. Careful consideration must be given when selecting the modules for a MicroTCA application to avoid conflicts

4.3 Backplane Port Mappings

As described earlier, routing the signals between the modules is the primary responsibility of the Backplane, but with no active components, the MCH is responsible for switching the fabrics. The MicroTCA modules communicate with each other using the Backplane through a Backplane connector. Although there are multiple types of communications that are supported, the MicroTCA specifications have allocated certain ports of the AMC for specific type of communication and it is responsibility of the Backplane to map the fabric on the MCH to the correct port on the AMC.

A basic AMC Backplane connector is shown in [Figure 6](#).

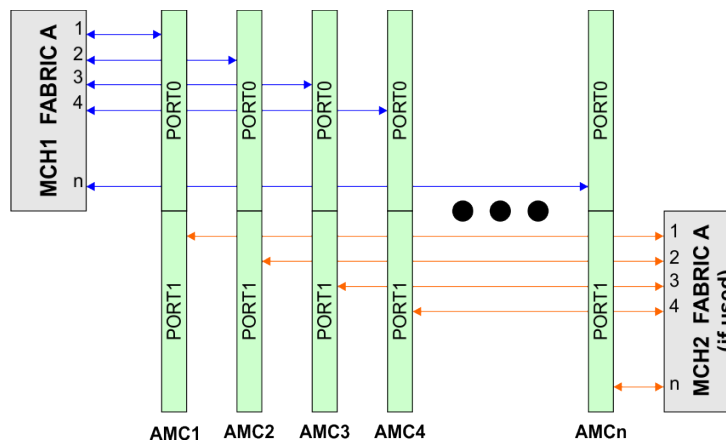
Figure 6: An Example AMC Backplane Connector



4.3.1 Common Options

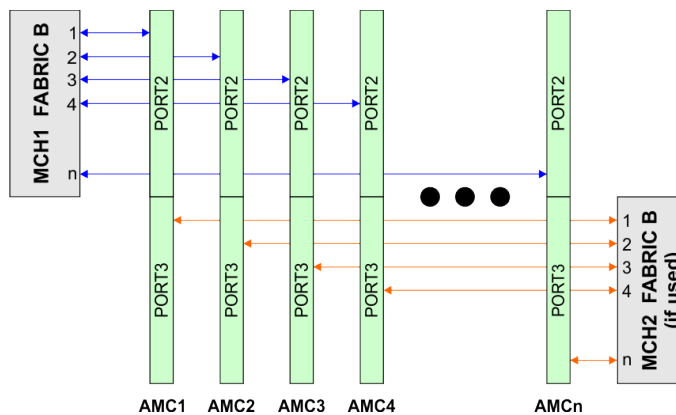
The fabric A from the MCH is allocated for GbE on most MicroTCA systems, and in these systems the Fabric A is routed to Ports 0 and 1 of the AMCs.

Figure 7: Fabric A Mapping to Ports 0, 1



Fabric B is allocated for technologies such as SAS and SATA through port 2 and 3 of the AMCs.

Figure 8: Fabric B Mapping to Ports 2,3

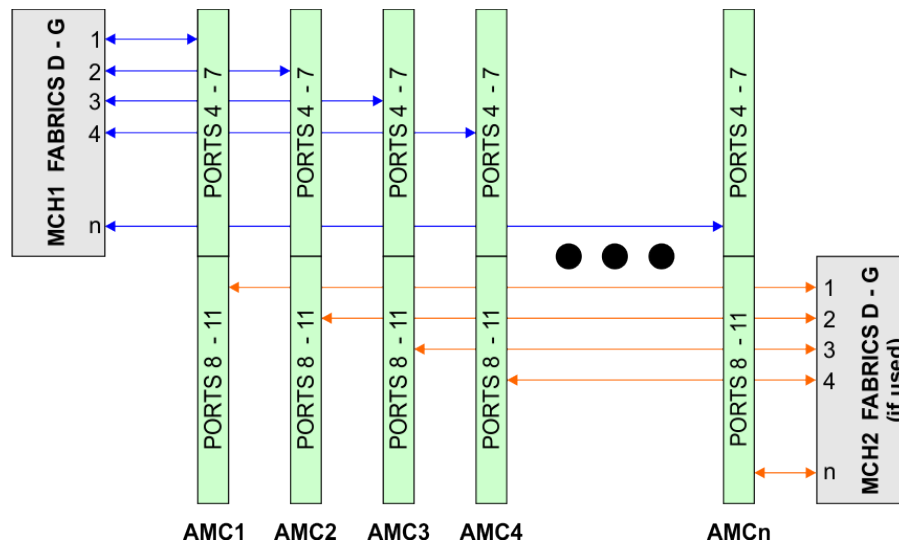


On some chassis, there may be an option to select the Backplane routing to allow direct point-to-point connections between AMC ports 2 and 3. This allows for faster and direct transfer of data between the AMCs. Refer to your chassis datasheet for availability of direct connection options.

4.3.2 Fat Pipes

Fabrics D to G use multiple links to support data connectivity, known as fat pipes. These fat pipes are routed by the Backplane to the ports 4 to 7 and ports 8 to 11 of the AMCs. The fat pipes are required to build systems to use 10 GbE, SRIO and PCIe x4 or x8 protocols.

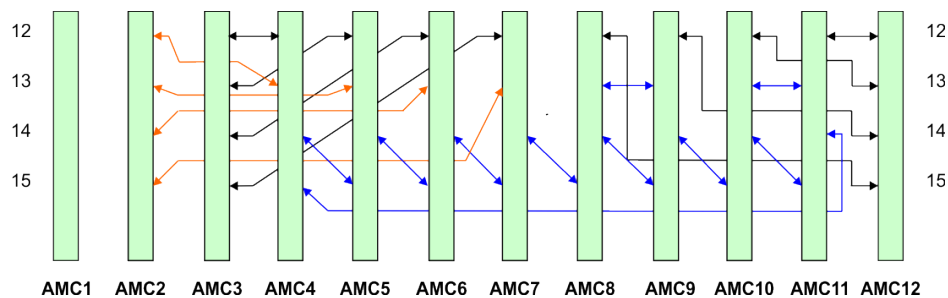
Figure 9: Fabrics D-G Mappings to Ports 4-7 and Ports 8-11



4.3.3 Extended Options

The extended options will be available only if the AMC Backplane connector has implemented the extended connector. The extended options are available on Ports 12 to 20 and in some designs the Backplane may support interconnectivity between AMCs in the extended options as well.

Figure 10: Ports 12-15 Direct Connections Example



4.4 Field Replaceable Unit (FRU) Data

A MicroTCA Backplane contains a non-volatile storage to store the platform FRU data. The storage is implemented as an Electrically Erasable Programmable Read Only Memory (EEPROM). The FRU

data maintains platform related information such as the installed FRUs, board information, Carrier Manager address, Shelf Manager address and power management data. In high availability systems there will be two sets of FRU data, one per MCH.

4.5 JTAG Interface

An optional JTAG interface can be provided for developing and testing a MicroTCA system. The MicroTCA specifications extend the JTAG interface to test the AMCs, MCH, Power Modules and Cooling Units. The JTAG interface is also useful for field diagnostics purposes. The JTAG support is implemented in the individual modules for system level and sub-system level testing. The MicroTCA specifications provide a user friendly mechanism to access the JTAG nodes using a JTAG Switch Module (JSM). The JSM is accessible to the user from the MCH.

According to the MicroTCA specifications:

- JSM is optional
- MCH should provide interface to support a JSM
- JSM should be powered by the MCH payload power
- JSM can be implemented on the Backplane
- Only one JSM per payload power channel should be implemented

There is only one JSM in most MicroTCA systems as the failure of a JSM does not lead to a loss of service.

Figure 11: Vadatech JSM - UTC013



5 MicroTCA Carrier Hub – MCH

5.1 Overview

The MCH is an important component of the MicroTCA architecture. The MCH along with the Backplane provides a virtual carrier interface for the AMCs. The MCH can be either integrated into the chassis or supplied as a plugin card. The plugin MCH has the same form factor as the AMC, though with multiple (mezzanine) cards and Backplane connectors.

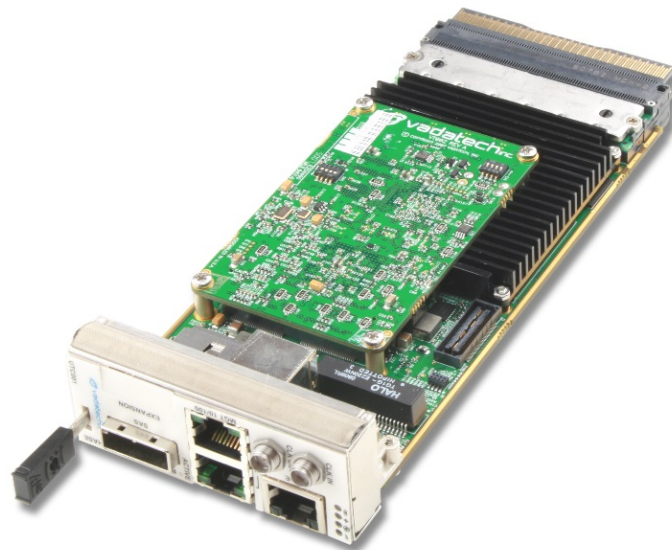
5.2 MCH Functions

The MCH provides the required data connectivity and manages up to 12 AMCs, 4 Power Modules and 2 Cooling Units in a MicroTCA system.

The PICMG specifications for the MCH provide a lot of flexibility on how to implement an MCH (integrated or standalone), there is also flexibility on the functions supported. A typical MCH provides the following carrier features:

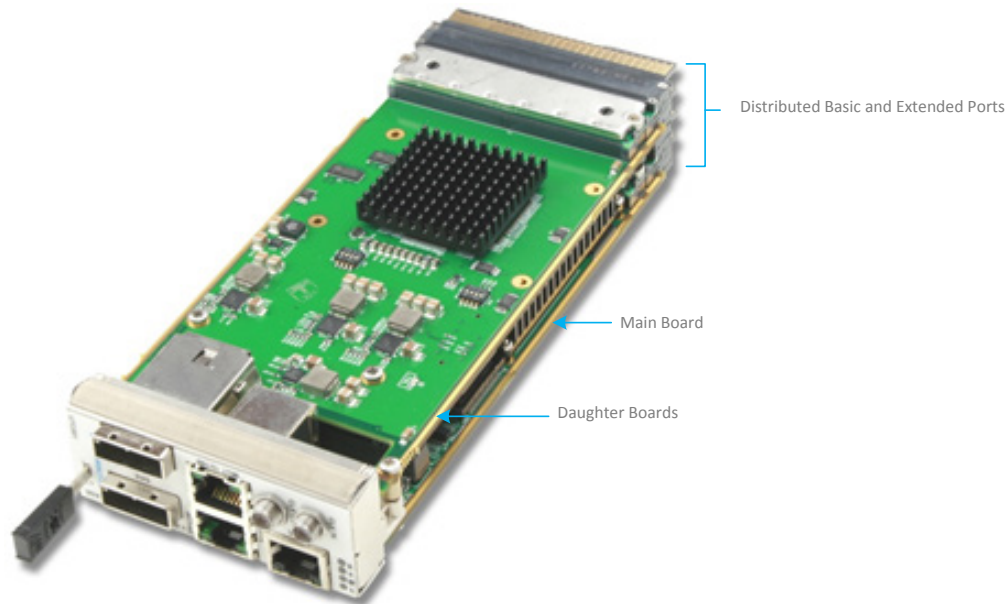
- Switched Fabric – data connectivity to the AMCs
- Management – control and manage the AMCs, Power Modules and the Cooling Units
- Clock Distribution – distribute clock signals to the AMCs

Figure 12: MCH with a Single PCB



The specifications also allow the functions to be implemented on more than one PCB and using multiple connectors as shown in [Figure 13](#). This flexibility allows the MCH to implement the data and control interfaces independently.

Figure 13: MCH with Daughter Boards



5.2.1 Switched Fabric

The MicroTCA systems support switched serial fabrics for data and control channels. The MicroTCA system uses a passive Backplane to provide interconnectivity between the MCH and the AMCs. The MCH is responsible for switching of the fabrics to send and receive appropriate data and control signals, the Backplane is responsible for routing the signals to the individual modules.

The MCH supports up to 7 fabrics (A to G) and each fabric implements a serial transmitter and receiver. Fabric A is allocated to Gigabit Ethernet (GbE) in most MicroTCA systems and routed to Port0 of each AMC. Fabrics D to G are used to implement technologies that requires up to 4 serial links. Some of the common technologies supported on fabrics D to G are:

- 4x GbE ports
- 1x 10 Gigabit Ethernet (10 GbE) port using XAUI
- 4x PCIe ports
- 4x Serial Rapid IO (SRIO) ports

There are other protocols such as SATA, SAS and Fibre channels that can be supported by the MCH.

The fabrics D to G use multiple links and are also known as fat pipe fabrics. The fat pipe fabrics normally route data to the “fat pipe regions” of the AMCs. The fat pipe regions are ports 4 to 7 and ports 8 to 11 on each AMC.

Fabrics B and C are not used for data connectivity and they are generally used by the MCH for clocks and JTAG interfaces.

Table 3: Summary of MCH Fabrics

Fabric	Data Connectivity	Routed to AMC Ports	
A	Gigabit Ethernet	0	
B and C	Clocks and JTAG		
D, E, F and G	4x GbE	4 to 7	8 to 11
	1x 10 Gigabit Ethernet		
	4x PCI Express		
	4x Serial Rapid IO		

Table 3 shows that Fabrics D to G handles multiple interfaces and an MCH can support one or multiple interfaces. For MCH produced by VadaTech, the supported fabric interface may be customized by selecting an appropriate option, refer to your MCH datasheet, for more information on the available ordering options.

Although the Backplane is responsible for routing of signals between the MCH and the AMC, it is the combination of the MCH and the Backplane that determines the correct routing of individual protocols.

The MCH must support multiple links and hence more than one board may be used to implement the fabrics. An MCH plug may be used to link these boards and connect to the Backplane. The MicroTCA specifications do not specify the number of fabrics and technology to be supported by each MCH. Refer to the Datasheet and User Manual of your MCH, for more information.

The MCH will provide the required interconnectivity through the front panels to connect the fabrics to other MicroTCA systems and external devices. The MicroTCA specification also allows for point to point connection between the modules without involving the MCH.

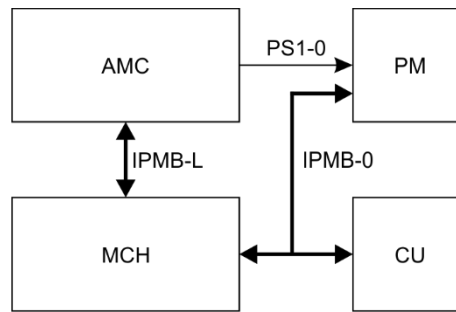
5.2.2 Management

The MCH is the primary module responsible of managing a MicroTCA carrier. The carrier management functions are based on the IPMI and E-Keying as described by the AMC.0 specifications. The MCH is also responsible for overall management of the carrier including managing AMCs, power managers and Cooling Units.

5.2.2.1 Carrier Manager Functions

The MCH is responsible for providing the carrier interface to the attached modules and hence responsible for electronic keying of the attached AMCs. The MCH depends on the Power Module to get information about a new module. The AMCs are linked to the Power Module and the Cooling Units through PS1-0 which notifies the Power Module of the presence of a new AMC. The Power Module informs the MCH using the IPMB-0 interface. The MCH is linked to the AMCs through the IPMB-L and takes control of the detected AMCs.

Figure 14: Carrier Manager Interfaces



The MCH informs the user of any mismatch using the LEDs or other mechanisms, for example, error codes. The MCH to MCH communication is not covered by the AMC.0 specifications

5.2.2.2 Power and Cooling

The MCH is responsible for configuring the Power Modules and Cooling Units. The MCH determines the order of AMC power-up, load sharing between Power Modules and controlling the fans of the Cooling Units.

5.2.3 Shelf Management

The MCH is responsible for providing an interface to shelf management functions. The MCH may also provide an interface to the higher management entities such as a MicroTCA System Manager through an IP interface.

Most MicroTCA systems implement Shelf Manager in the MCH but the Shelf Manager can be implemented in an AMC.

5.2.4 Clock Distribution

The MCH is responsible for distributing the clock signals to the AMCs. The clock signal may be provided by an AMC, this is distributed to other AMCs by the MCH. The MicroTCA specifications specify 3 clocks and AMC.0 R2.0 describes additional four clocks.

The 3 clocks specified by the MicroTCA specifications are bi-directional and the MCH can receive a clock signal from one of the modules and distribute it to other AMCs. For systems that use one MCH and implement PCIe fabric the MCH must use Clock 3 to support the PCIe spread spectrum clock.

In a high availability system, where two MCHs are required, the clock distribution must be implemented with care. The MicroTCA specifications describe that Clock1 from the primary MCH is routed to the Clock 1 of the AMCs and Clock1 from the secondary MCH is routed to the Clock 3 of the AMCs. The AMC Clock 2 is routed to the Clock 2 of both MCHs.

In a redundant MCH implementation only one of the MCH will be active at any given time and during a failure the secondary MCH takes control of the system.

5.3 Example Products

Some of the MCH developed by VadaTech are:

- UTC002
- UTC003
- UTC004

6 Power Modules

6.1 Overview

The Power Modules/Managers (PMs) are responsible for distribution and management of power to various MicroTCA modules. The Power Module distributes two types of power to the MicroTCA modules:

- +12 V power for module payload
- +3.3 V power for module management

In addition, the Power Module also provides an interface to the MCH for power management.

Figure 15: Vadatech Power Module - UTC010



6.2 Power Input Source

A typical MicroTCA system supports one of the following power sources:

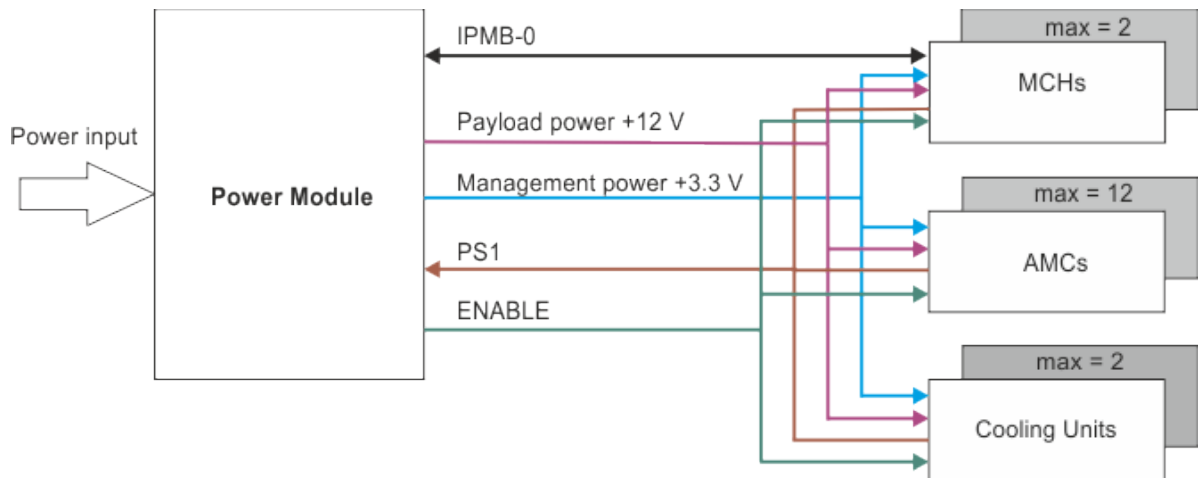
- -48 V DC
- -60 V DC
- +24 V DC
- 100 V AC
- 120 V AC
- 230 V AC
- Universal AC (24 to 72 V)

The Power Modules convert source to 12 V and 3.3 V supplies. The converted power is distributed independently to power up to 12 AMCs, 2 MCHs and 2 Cooling Units.

A MicroTCA system can have up to four Power Modules either in simplex or redundant configuration. The Power Modules can also be implemented as FRUs. The MicroTCA specifications

do not specify the number of sources supported by a Power Module and allows MicroTCA system designers a great deal of flexibility to develop different types of Power Modules to meet the requirements of a user application.

Figure 16: Power Module Interfaces



6.3 Power Management

The Power Modules are responsible for monitoring and protecting the MicroTCA systems from power variations. The MicroTCA specifications require each Power Module to have an EMMC, regardless of how they are implemented. The EMMC provides the required intelligence to the Power Modules, to monitor and protect the system. The EMMC interfaces allow the Power Modules to communicate with the MCH, Cooling Units and other system critical components.

6.3.1 Autonomous Power

Since the Power Modules have the responsibility to distribute power, during system start-up, the Power Modules have autonomous circuits to power itself. Once the Power Modules are started they have enough information to supply power to the system critical components such as the MCH and the Cooling Units. Once the MCH is running, the Power Module transfers the management responsibility to the MCH.

6.3.2 Module Detection

The PS interface allows the Power Modules to detect when a new module is inserted into the shelf. The Power Modules enables the new modules using the ENABLE interface. Once a new module is enabled, the Power Module provides the information such as module presence, module address, module health, system temperature and voltage parameters to the MCH.

The MCH then takes control of the carrier management. The MCH sends appropriate commands to the Power Modules and the Cooling Units based on the information gathered from the Power Modules. The MicroTCA specifications describe using the standard Backplane connectors to maintain interoperability and support hot-swap. .

6.3.3 Multiple Power Modules

The MicroTCA specifications allow up to four Power Modules in a single chassis. The multiple Power Modules can either be used for additional power or for redundant architecture or combination of both. The load sharing between the Power Modules is decided by the MCH, depending on the number of AMCs, and the required order in which they need to be powered up. The MCH also monitors the system temperature and voltage and configures the Power Module(s) to maintain the overall health of the shelf.

6.4 Example Products

Some of the AC Power Modules developed by VadaTech are:

- UTC017 and UTC018

Some of the DC Power Modules developed by VadaTech are:

- UTC010, UTC011, UTC012, UTC013, UTC014 and UTC020

7 Cooling Units

7.1 Overview

The Cooling Units are essential to maintain the temperature of a MicroTCA chassis and protect the modules from damage due to overheating. The MicroTCA systems are used in wide variety of environments and the system designers and integrators must consider the individual modules and the potential environments where an application may be used. An efficient cooling unit ensures a reliable MicroTCA system.

7.2 Cooling Unit Considerations

The main factors that influence the cooling unit designs are:

- Chassis design
- Number of AMCs
- Component density of each AMC
- Use of additional filters
- Application operating environment

The system integrators must select an appropriate cooling unit, considering the above parameters.

7.3 Cooling Unit Operation

The MicroTCA specifications allow up to two Cooling Units per chassis and each Cooling Units contains an EMMC that provides required management interfaces to the Power Module and the MCH.

The Power Module is responsible for powering up the Cooling Units. After the device has powered up, the MCH manages the Cooling Units by reading the system temperature and controls the fan speeds accordingly.

8 Advanced Mezzanine Card – AMC

8.1 Overview

The Advanced Mezzanine Cards (AMCs) are one of the primary reason for the development of the MicroTCA architecture. The AMCs were initially designed for the ATCA architecture and would connect to the ATCA carrier. In MicroTCA architecture, they connect directly to the Backplane and act as a mini blades. The MicroTCA chassis and the Backplane act as a virtual carrier to support an AMC designed for the ATCA system in a MicroTCA system.

The AMCs must support hot-swapping, high speed connectivity and high availability to support modularity and scalability.

8.2 Types

In a MicroTCA system, the chassis, MCH, Cooling Unit and Power Modules provide the basic infrastructure to develop an application and the AMCs provide the core functionality to implement an application. The selection of AMCs depends on the application design requirements. The AMC implement modular functionality and allows the designers to develop wide range of applications. The AMCs also allow to rapid prototype development and scalability of a given application. Some of the common types of AMCs are:

- Processor AMCs
- Graphics AMCs
 - Single or Multi channel graphics processors
 - Video drivers
- IO AMCs
 - Multi-channel I/O
 - Clock and GPS interfaces
 - Bus expansions
- Storage AMCs
 - Single/Multi disk
 - Host Bus Adapters with integrated RAID
- Networking AMCs
 - Multi-port network interfaces
 - Gigabit Ethernet, 10 GbE and 40 GbE interfaces
 - Network switches
 - Network Processors
 - Wireless Access Points
- FPGA AMCs
 - Data processors
 - Analog-Digital Converters
 - Digital I/O
- Carrier AMCs

- PMC/XMC/PCIe Carriers
- FMC Carriers

A typical MicroTCA system will have one or more AMCs configured to implement the functionality required by the target application. The AMCs can also implement a Shelf Manager, Power Module or a JSM.

The AMCs may combine various categories in a single AMC, for example a Graphics AMC with on-board storage. Refer to the datasheet for your AMC for more information.

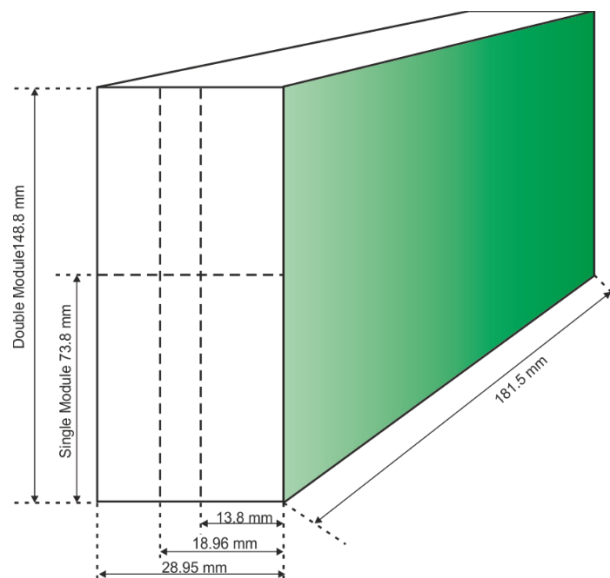
8.3 Mechanical Dimensions

The AMC form factors are classified based upon two factors; the Horizontal Pitch (HP) size and the Width of the AMC. The form factor chosen by the AMC manufacturers depend on the amount of components that needs to be fitted in a single AMC. The AMC form factor also influences the chassis design for the system integrators. The system integrators must take into account the airflow required for efficient cooling of the system. The MicroTCA specifications allow for 6 types of AMC form factors as shown in Table 4.

Table 4: AMC Form Factors

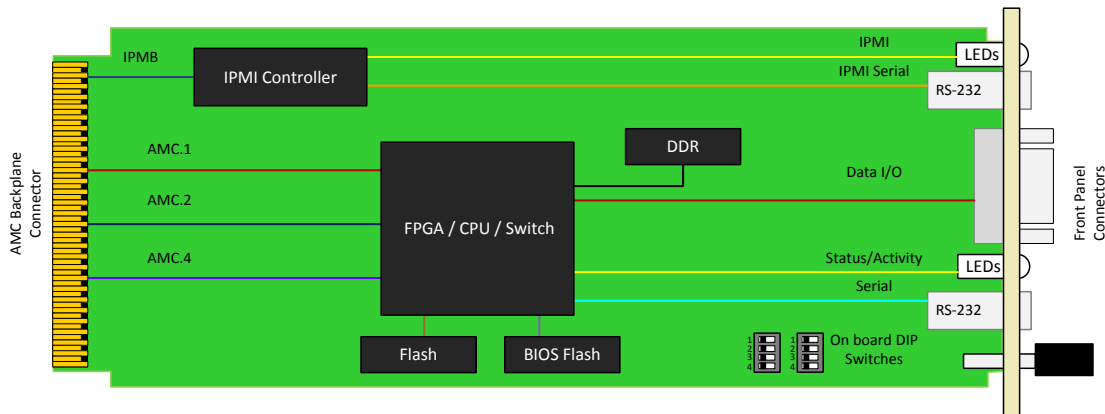
	Compact size 3 HP	Mid-size 4 HP	Full-size 6 HP
Single (width) Modules	73.8 x 13.88 x 181.5 (mm)	73.8 x 18.96 x 181.5 (mm)	73.8 x 28.95 x 181.5 (mm)
Double (width) Modules	148.8 x 13.88 x 181.5 (mm)	148.8 x 18.96 x 181.5 (mm)	148.8 x 28.95 x 181.5 (mm)

Figure 17: AMC Dimensions



8.4 AMC Features

Figure 18: Generic AMC Block Diagram



8.4.1 Front Panel

The front panel provides the required support for external connectors, hot-swap handles, LEDs and also provides Electro Magnetic Interference (EMI) filtering.

8.4.2 LEDs

The LEDs provide visual information about the AMC to the users. The AMC specifications mandate at least two LEDs in each AMC.

1. Blue LED – This is must be implemented to provide the status of hot-swap and inform the user when it is ready to use and when it is ready for removal. The specifications describe four status levels for the blue LED:
 - ON – AMC is safe for extraction
 - OFF – AMC is operational and unsafe for extraction
 - Short blink – AMC deactivation request received and deactivation in progress
 - Long blink – AMC activation request received and activation in progress
2. The AMC specifications also specify the AMCs to have a second LED to inform of a device failure.

The specifications allow the AMCs to have additional LEDs that can be user/manufacturer defined. Refer to the AMC documentation for more information on additional LEDs.

8.4.3 Front Panel Connectors

The external connectors on the front panel provide the required interfaces for AMC communication with the external sources. The common types of external connectors are Ethernet, USB, Graphics IO, Serial and other general IO connectors.

8.4.4 Hot-swap Handle

Hot swapping is one of the key feature of the AMCs and all AMCs are provided with a hot-swap/extractor handle. The hot-swap handle enables the AMCs to be field replaceable and also allows the AMC upgrades and repairs to be done without shutting down the entire MicroTCA system.



Refer to the product user manual, for more information on how to use the hot-swap handle. Improper use of this feature may cause serious damage to the AMCs. Remove the AMC only when the blue LED is ON.

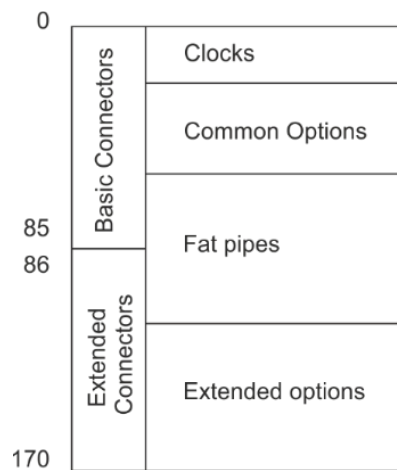
8.4.5 Interconnections

The interconnections to the Backplane allows module to module and module to carrier communications. The AMC plugs into the Backplane of the MicroTCA chassis and has connectors to communicate with the Backplane. AMC specifications allow up to 170 pins/contacts. These contacts are classified into two categories, 85 Basic and 85 Extended. In a low cost MicroTCA design, where less fabric connections are acceptable, an AMC that only supports the basic contacts can be used. For more information on the interconnections, refer to the following extended AMC specifications:

- AMC.1 – specifications for PCIe
- AMC.2 – specifications for GbE
- AMC.3 – specifications for SATA
- AMC.4 – specifications for SRIO

The basic and extended contacts can be either distributed on both sides of the Backplane connector in single width AMCs or they can be contiguous on a single side of a double width AMC.

Figure 19: AMC Connector Distribution



Refer to the AMC.0 specifications for more information on AMC pin distribution.

The 170 pins are distributed among the following groups:

- Fabric interfaces
- AMC clock interfaces
- JTAG interfaces
- System management interfaces
- Payload power interfaces
- Logic ground contacts

8.4.6 Management Functions

The AMC specifications describe the module management using the Intelligent Platform Management Interface (IPMI) and Electronic Keying (E-Keying).

The E-Keying is a mechanism of detecting a module and enabling the interfaces that are compatible with the MicroTCA carrier and prevent collision of incompatible interfaces. The E-keying is implemented in the Carrier Manager and allows only compatible interfaces to be enabled in each module. Each AMC module contains a Management Module Controller (MMC) that provides the required interfaces to support IPMI and E-Keying.

The IPMI and E-Keying were initially designed for the Telecommunication networks using the ATCA systems. These features enable the MicroTCA applications to utilize dynamic configuration and alerts users when a conflict is detected.

8.4.7 Sensors

The AMCs contain multiple thermal and electrical sensors. The thermal sensor can be discrete ICs or derive thermal information from on-board processor/FPGA. The thermal sensors monitor the temperature of the AMC and when critical thresholds are reached the Module Manager Controller notifies the Carrier Manager and generate user notification through error codes or LEDs.

The electrical sensors monitor for any over current and when critical thresholds are reached they notify the on-board MMC which in turn notifies the Carrier Manager and generate user notification through error codes or LEDs.

8.5 Example Products

VadaTech develops a wide range of AMCs, a few examples are described in this section.

- Processor AMCs – AMC71x and AMC72x range
- Networking AMCs – AMC20x, AMC21x, AMC22x, AMC23x, AMC73x
- Graphics AMCs – AMC34x
- FPGA AMCs – AMC52x
- FMC Carriers – AMC51x
- Serial Adaptor AMCs – AMC30x and AMC32x
- Storage AMCs – AMC60x and AMC610

There are AMCs to support various IO, visit <http://www.vadatech.com> for more information.

9 MicroTCA Management

9.1 Overview

The MicroTCA specifications describe two major types of platform management:

- Low level hardware management using Intelligent Platform Management Interface (IPMI)
- High level, high speed management using Internet Protocol (IP) suite

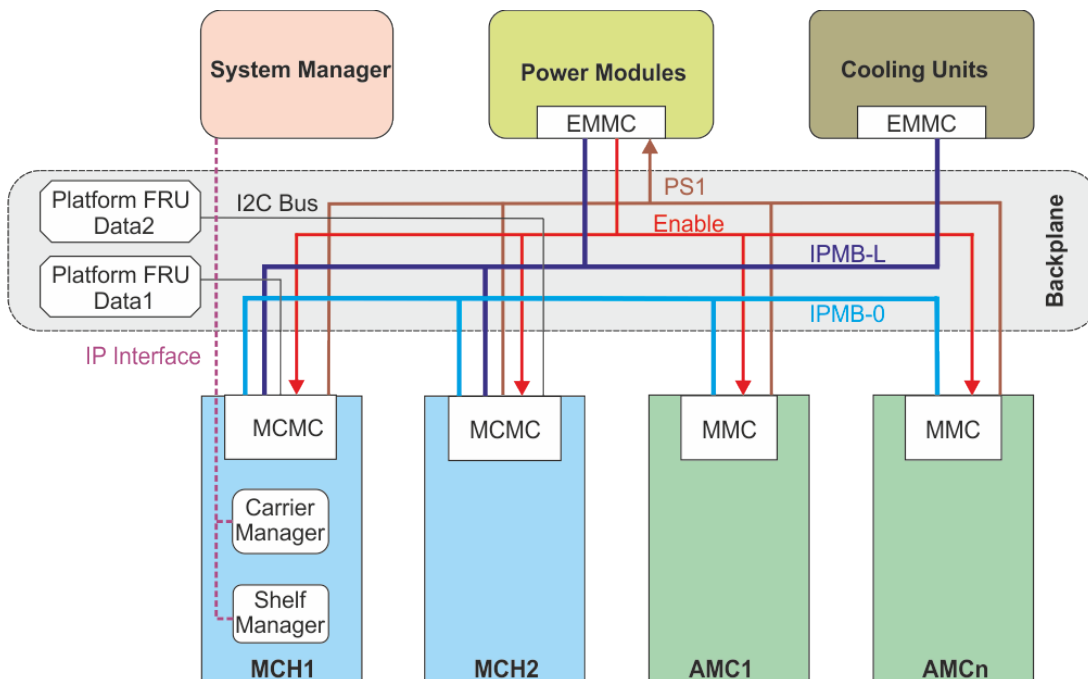
The IPMI and IP level of platform management were first designed and used in the AdvancedTCA systems and to support the telecommunication networks, the IPMI and PICMG specifications provide common interfaces that were used as the basis for the MicroTCA systems.

The various management entities, in increasing hierarchy, of a MicroTCA management are:

- Module Manager - manages individual modules of the MicroTCA system
- Carrier Manager - manages up to 12 AMCs, 4 PMs and 2 CUs
- Shelf Manager - manages up to 16 carriers
- System Manager - manages one or more shelves

A typical MicroTCA system with related management interfaces is shown in [Figure 20](#)

Figure 20: MicroTCA Management Interfaces



9.2 Module Manager

The module manager is the lowest unit of the MicroTCA management entity. Each module has a Module Management Controller (MMC) which is responsible for controlling and managing the individual module. The different types of module management controllers are:

- MMC – A basic MMC is present in all AMCs, which monitors and controls different parameters such as voltage, temperature, power and fan speed. The MMC stores the measured data in the Field Replaceable Unit data storage. The MMC also supports hot-swap facility by monitoring the hot swap switch/handle and providing feedback to the users through LEDs.
- EMMC – The Power Modules and Cooling Units have an Enhanced Module Management Controller (EMMC). The EMMC can detect when a new module is attached using the PS1 interface and configure the power and cooling parameters accordingly. The AMC, MCH and the Cooling Units are enabled by the Power Module using the ENABLE interface. Once powered up the MCH takes control of managing the modules.
- MCMC – The MicroTCA Carrier Management Controller (MCMC) is similar to an MMC in the AMCs, but has additional interfaces to support carrier management. The MCMC also supports the MCH interfaces to the shelf and System Managers.

9.3 Carrier Manager

The Carrier Manager is present on the primary MCHs along with the MCMC, fabric switches and clock distribution. When the primary MCH fails, the Carrier Manager on the secondary MCH becomes active in a redundant architecture.

The Carrier Manager performs the following functions:

- E-Keying: The Carrier Manager communicates with the MMC to access the FRU information of the AMC and enables the required interfaces that are compatible with the interfaces available on the Backplane.
- Data Switching: The Carrier Manager gets the FRU data of the carrier, AMCs and the MCH to decide which ports and fabrics are required to support data connectivity between all modules and avoid potential conflicts. The decision is communicated to the individual MMC through the MCH.
- Power management: The modules derive power directly from the Power Modules. The Carrier Manager supplies the payload of individual modules by configuring the appropriate Power Modules.

9.3.1 Carrier Manager Interfaces

The Carrier Manager implements two types of bus, based on the Intelligent Platform Management Bus (IPMB) architecture. [Figure 20](#) shows various management interfaces.

- IPMB-L: The IPMB-L provides the required link between the MMC (of AMCs) and the MCMC (of MCH).
- IPMB-0: The Carrier Manager manages other shelf modules such as Power Modules, Cooling Units through the IPMB-0 bus
- I2C Bus: The carrier Field Replaceable Unit (FRU) Data for each MCH is stored in a I2C serial EEPROM on the Backplane of the carrier

- IP Interface: The MicroTCA specifications require an IP based interface implemented for the Shelf Managers but the MicroTCA manufacturers can define their own interface between the Carrier Manager and the Shelf Manager.

9.3.2 E-Keying

The E-keying is a mechanism used in the ATCA system to avoid incompatible interfaces being enabled in a carrier and cause damage to the devices. The E-Keying is implemented in the MCH. The MCH reads the capability of the carrier and the AMC by getting the FRU records. The AMC.0 specifications describe two types of FRU records that are useful for implementing E-Keying. There are two types of communication that are covered by the specifications.

- Carrier to AMC: The MCH reads the AMC FRU data from the MMC and the carrier FRU data stored on the Backplane memory. These FRU data provide the required interfaces to enable communication between the MCH and an AMC. If compatible interfaces are available these interconnections are enabled on the carrier and necessary ports are enabled on the AMC.
- Module to Module: For point-to-point communications between the AMCs, the MCH checks for matching ports in the AMC by reading the FRU data from the MMCs. Once the matching ports are available, the MCH checks for a compatible interface on the Backplane by reading the Carrier FRU data. If both checks are passed then the necessary ports are enabled on the AMCs and a compatible Backplane interface is allocated between the AMCs, to enable point-to-point communication.

9.4 Shelf Manager

The Shelf Manager is a logical management unit that can be implemented on any FRU. A single Shelf Manager can manage up to 16 carriers. The main function of a Shelf Manager is to monitor overall status of the MicroTCA shelf and notify the user or the System Manager, as required. The Shelf Manager can be present on any of the carrier and physically implemented in a MCH, AMC or any other part of the carrier hardware.

The Shelf Manager acts as a central monitoring station for the carriers and take preventive actions, for example, change the cooling settings after reading the shelf temperature. The MicroTCA specifications recommend having a redundant Shelf Manager but does not specify the details of inter-Shelf Manager communications or fall-back mechanisms, in case of a failure.

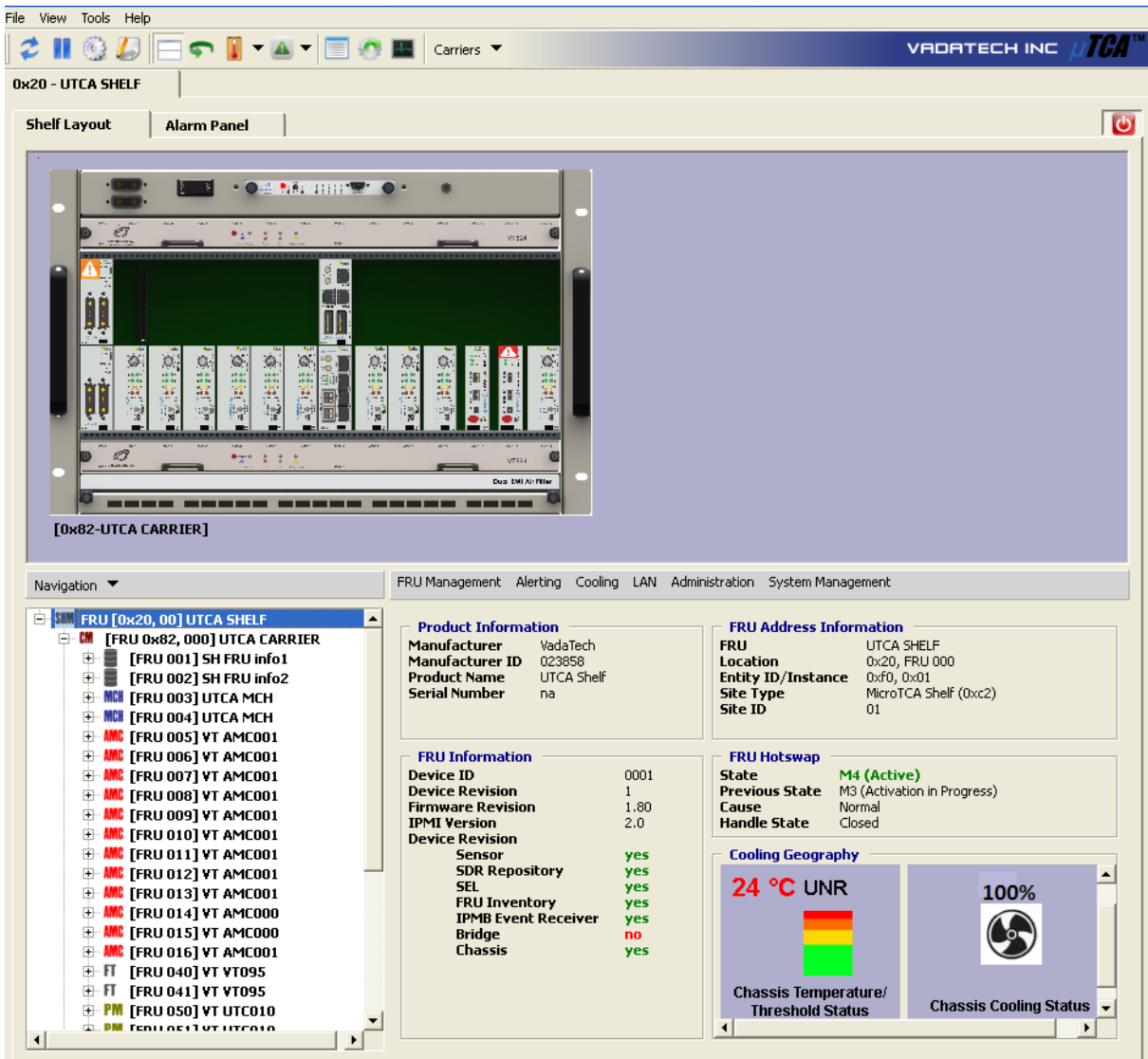
9.5 System Manager

The System Manager is the highest management level of a MicroTCA system. The main function of a System Manager is to provide visual interface to the users of the MicroTCA systems through an IP interface. This IP interface is routed to the Shelf Manager and the Carrier Manager. The interface allows the users to monitor and configure the system level settings and also to get the status of individual modules.

9.6 Example Products

ScorpionWare™ System Management is a free System Manager software available to VadaTech customers for both Microsoft® Windows® and Linux platforms.

Figure 21: Screenshot of Scorpionware



10 MicroTCA Markets

10.1 Overview

MicroTCA is a fast growing technology that is being adopted in multiple industries. MicroTCA systems can be designed for any industry that requires high bandwidth data communication, high speed data processing and where the system start-up costs should be maintained lower but allow for future expansion, as required.

10.2 Advantages of MicroTCA

To summarize, the advantages of a MicroTCA system are:

- Fully managed platforms by definition, supporting fully redundant systems for high availability applications
- Modular Open System Architecture (MOSA) provides low entry cost and rapid market entry
- Strong interoperability and multiple fabric support
- Scalable, high speed data processing and connectivity
- Vast ecosystem based on hundreds of AMCs
- Flexible design options to meet custom application requirements
- Flexible chassis options to meet demanding environments and SWaP optimized solutions

10.3 Use Cases

Some of the primary markets for MicroTCA are:

- Edge telecom networks
- Digital image / video processing in industrial and medical applications
- Enterprise / Industrial data processing
- Network packet analyzers
- High energy physics laboratories
- Military / Aerospace applications such as Analog-Digital Conversions, Signal processing from multiple sensors and communications
- Cloud computing
- Oil and gas exploration, Geomatics
- Border security

10.4 Typical MicroTCA System

A typical MicroTCA system consists of:

- A MicroTCA Chassis
- At least one MicroTCA Carrier Hub (MCH)
- At least one Power Module
- At least one cooling Unit
- One or more AMCs

- Optional JSM
- Application software to run on the MicroTCA system.

10.5 Building a Typical MicroTCA System

To build a MicroTCA system is a complex process based on the requirement of the end user application, but the following steps give a brief overview of the considerations that are required when deciding to build a typical system

1. Select one or more AMC based on the requirements of the end user application. The AMC(s) are selected considering the following factors:
 - I/O Requirements – consider what types of input and outputs are required such as Ethernet, RF, Optical, Serial, etc. Your application may require a combination of inputs and outputs, so select the AMC that can handle the required I/Os.
 - Processing Requirements – Some applications require high data processing and for this, a suitable Processor AMC (PrAMC) may be required. When using a processor AMC consider the speed and type of processing required and choose an AMC that can meet your requirements.
 - Graphics – Some applications may require visual processing and output rendering, in such cases a Graphics AMC may be useful.
 - Storage – If your application processes large amount of data and requires data storage facilities, storage AMC can be used.
 - Field Programming – For applications that require field programming, FPGA based AMCs are useful, they provide flexibility and allow more customization of the user application.
2. Select a chassis: Once the required AMCs are selected, select a suitable chassis that is compatible with the AMCs. Consider the following when selecting a chassis:
 - Number of AMCs required
 - AMC compatibility
 - Redundancy support
 - Power supply requirements
 - Telco alarm requirements
 - Chassis coating requirements
 - Environmental requirements based on the application use (ruggedized or not)
 - Chassis dimensions, depending on how it will be integrated with the rest of the system
3. Select an appropriate MCH, consider if you require redundant MCH configuration and some chassis have integrated MCH.
4. Select a Power Module to meet your system requirements and more than one Power Module is required for high availability and high payload power applications.
5. Select a cooling unit to that is compatible with the chassis and provides the required cooling mechanism (back to front, bottom to top or side to side).
6. Optional JTAG switch modules can be used for debugging and diagnosing prototype designs.
7. Optional System Manager Software is used to configure and manage the entire system along with other application software.

Please note that the above steps are high level overview of the selecting a MicroTCA system, once the system is designed, they must be configured to meet the application requirements. The configuration and implementation of the modules are not scope of this document.

10.6 Why Choose VadaTech?

- Industry's only supplier of the full MicroTCA ecosystem (over 200 AMCs, MCHs, PMs, Chassis, Specialty/Test, and Application-Ready Platforms)
- Unprecedented performance density from boards to chassis/application-ready platforms
- Hundreds of standard products to leverage a “boutique” approach to customization
- Creative solutions offering best price-to-performance
- Unique capability with electrical, mechanical, software, and system-level expertise in-house
- A global company with AS9100 and ISO9001 certifications

Notes

Contact VadaTech

Technical Support

If you have purchased the VadaTech product through our distributor network, contact your distributor for any technical assistance. If you require further technical support, you can contact VadaTech technical support team by forwarding your support requests to support@vadatech.com.

Locations

VadaTech Corporate Office	European Sales Office	Asia Pacific Sales Office
198 N. Gibson Rd Henderson, NV 89014 USA Email: info@vadatech.com Telephone: +1 702 896 3337 Fax: +1 702 896 0332	Ocean Village Innovation Centre, Ocean Way, Ocean Village, Southampton, SO14 3JZ, UK Email: info@vadatech.com Telephone: +44 2380 381982 Fax: +44 2380 381983	7th Floor, No 2, Wenhua Street, Neihu District, Taipei 114, Taiwan Email: info@vadatech.com Telephone: +886 2 2627 7655 Fax: +886 2 2627 7792

© 2016 VadaTech, Incorporated. All rights reserved

The VadaTech logo is a registered trademark of VadaTech, Inc. Other registered trademarks are the property of their respective owners. AdvancedMC™, AdvancedTCA™ and μTCA™ logos are trademarks of the PCI Industrial Computers Manufacturers Group.